

PARTS LIST

FOR

SINGER

196K5, 196K205 and 196K305

SINGLE NEEDLE

LOCK STITCH

MACHINES

INSTRUCTIONS FOR ORDERING

In ordering from this List, the part number MUST BE quoted exactly as shown in the first column.

A number always indicates the same part in whatever List it may appear, or for whatever machine.

The code numbers (where shown) indicate the style of finish, as follows:—

New Code	Old Code	Description
801	A.	Hardened, Polished, Nickel Plated and Buffed.
802	B.	Polished, Nickel Plated and Buffed.
803	C.	Hardened only.
804	D.	Polished only.
805	E.	Soft, Not Polished.
806	F.	Hardened and Polished.
807	G.	Bright Rumbled and Nickel Plated.
808	H.	Blued.
809	J.	Nickel Plated only.
810	K.	Hardened and Nickel Plated.
811	L.	Brass Plated.
812	M.	Oxidized.
813	R.	Phosphate Coating Formed on Surface of Iron or Steel.
814	S.	Cadmium Plated.
815	T.	Copper Plated.
816	U.	Zinc Plated.
817	V.	Silver Plated.
818	W.	Polished and Nickel Plated.
819	X.	Black Oxide for Iron and Steel.
820	Y.	Black Nickel Plated only.
821	Z.	Chromium Plated.
822	A.A.	Buffed and Chromium Plated.
823	A.B.	Hardened, Polished, Buffed and Chromium Plated.
824	A.E.	Hardened, Bright Rumbled and Nickel Plated.
825	A.F.	Hardened, Bright Rumbled, Nickel Plated, Bright Rumbled and Chromium Plated.
826	A.G.	Alumilite. (Plain).
827		
828	A.J.	Polished, Nickel Plated and Chromium Plated.
829	A.K.	Hardened, Polished, Nickel Plated and Chromium Plated.
830	A.L.	Heat Treated for Toughness.
831	A.L.D.	Heat Treated for Toughness and Polished.
832	A.L.J.	Heat Treated for Toughness and Nickel Plated.
833	A.L.X.	Heat Treated for Toughness and Black Oxide.
834	A.L.Z.B.	Heat Treated for Toughness, Polished, Nickel Plated, Buffed and Chromium Plated.
835		
836		
837		
838		
839	B.A.	Chrome Nickel, Satin Finish.
840	B.B.	Hardened and Chrome Nickel, Satin Finish.
841	C.R.	Hardened and Phosphate Coating Formed on Surface of Steel.
842	C.U.	Hardened and Zinc Plated.
843	F.J.	Hardened, Polished and Nickel Plated.
844	T.A.	Hardened, Polished, Copper and Nickel Plated and Buffed.
845	T.B.	Copper and Nickel Plated and Polished.
846	T.J.	Copper and Nickel Plated only.
847	T.K.	Hardened, Copper and Nickel Plated.
848	T.L.	Copper and Brass Plated.
849	T.M.	Copper Plated and Oxidized.
850	X.C.	Hardened and Black Oxide for Iron and Steel.
851	Z.A.	Hardened, Polished, Nickel Plated, Buffed and Chromium Plated.
852	Z.B.	Polished, Nickel Plated, Buffed and Chromium Plated.
853	Z.C.	Hardened and Chromium Plated.
854	Z.D.	Polished and Chromium Plated.
855	Z.G.	Bright Rumbled, Nickel Plated, Bright Rumbled and Chromium Plated.
856	Z.J.	Nickel and Chromium Plated.
857	Z.T.	Copper and Chromium Plated.
858	A.L.Z.J.	Heat Treated for Toughness, Nickel and Chromium Plated.
859		Heat Treated for Toughness, Copper Plated and Oxidized.
860		Nickel Plated and Buffed only.
861		Alumilite (dyed)—Black.
862		" (")—Light Almond Green.
863		" (")—Dark Brown.
864		" (")—Russet Brown.
865		" (")—Dark Green.
866		" (")—Medium Gold.
867		Nickel-Satin Finish.
868		Hardened and Nickel-Satin Finish.
869		Commercial Finish for Allen Type Screws.
870		Hard Coating on Aluminium.
871		Brass Plated and Clear Lacquered.
872		Copper Plated and Brown Metallic.

NUMERICAL LIST OF PARTS

The Parts Listed Below Are Used in 196K5, 196K205 and 196K305 Machines.

For Parts Used Only in Machine No. 196K5 see Page 50.

For Parts Used Only in Machine No. 196K205 see Page 51.

For Parts Used Only in Machine No. 196K305 see Page 52.

No.	Plate	Description	No.	Plate	Description
76x	2891	Knee Lifter Lifting Lever Connecting Rod Joint Hinge Screw	766d	2891	Knee Lifter Lifting Lever Link Hinge Screw
116e	2889	Arm Screw (back)	802x	2891	Knee Lifter Lifting Lever Hinge Screw
145e	2886	Rotating Hook Shaft Bevel Gear Case (lower) Screw for 174057	854e	—	Arm Screw (front)
157c	2883	Feed Lifting Rock Shaft Crank Clamping Screw	966e	2880	Feed Lifting Rock Shaft Connecting Rod Cap Screw for 127156
157c	2883	Feed Rock Shaft Crank Clamping Screw for 29633	1036al	2880	Thread Take-up Crank Set Screw for 174109 and 196K205 Machine
161e	2882	Feed Regulator Spring Bracket Screw	1053e	2888	Rotating Hook Thread Guard Screw for 174044 and 174090
176w	2884	Presser Foot Screw	1065al	2880	Needle Bar Crank Position Screw for 174109 and 174111
176x	2884	Face Plate Screw (lower)	1133al	2882	Needle Bar Bushing (lower) Set Screw
178e	2891	Knee Lifter Bell Crank Bracket Screw	1133al	2882	Needle Bar Bushing (upper) Set Screw
207d	2894	Quilter Clamp Screw for 86041	1133e	2884	Presser Bar Bushing (lower) Set Screw
208al	2895	Thread Unwinder Thread Guide Rod Screw for 225324	1148al	2886	Rotating Hook Shaft Bushing (back) Set Screw
219d	2886	Arm Side Shield Screw	1148al	2886	Rotating Hook Shaft Bushing (front) Set Screw
223c	2884	Slack Thread Regulator Set Screw for 52338	1208j	—	Bed Slide Spring Screw for 24810
228d	2894	Corder Guide Extension Guide Screw for 85877	1253al	2888	Rotating Hook Set Screw for 174043 and 174089
229w	2882	Needle Bar Thread Guard Screw for 127116	1259al	2880	Arm Shaft (horizontal) Bevel Gear Set Screw for 174107
Tool 293	—	Belt Guard Screw Key for 109776 (supplied only when specified on order, at no extra charge)	1259al	2880	Arm Shaft (horizontal) Collar Set Screw for 49010
313c	2883	Feed Bar Screw Centre for 56813	1259al	2880	Arm Shaft (upright) Bevel Gear (lower) Set Screw for 143014
335r	2882	Thread Take-up Lever Guard Screw	1259al	2880	Arm Shaft (upright) Bevel Gear (upper) Set Screw for 143015
356c	2891	Knee Lifter Rock Shaft Knee Arm Hub Set Screw for 2766	1259al	2886	Rotating Hook Shaft Bevel Gear Set Screw for 143081
356c	2891	Knee Lifter Rock Shaft Knee Plate Set Screw for 2767	1367e	2888	Rotating Hook Section Screw for 174045 and 174091
356c	2891	Knee Lifter Rock Shaft Lifting Bracket Hook Set Screw for 6337	1380e	2888	Rotating Hook Bobbin Case Tension Spring Screw for 52236
356c	2891	Knee Lifter Rock Shaft Lifting Bracket Set Screw for 6337	1507r	2891	Knee Lifter Rock Shaft Knee Plate Arm Bracket Position Nut for 2765
356c	2891	Knee Lifter Rock Shaft Stop Dog Set Screw for 2770	1513j	2883	Feed Lifting Rock Shaft Screw Centre Nut for 52097
375c	2883	Feed Connecting Link Hinge Screw	1513j	2883	Feed Rock Shaft Screw Centre Nut for 52097
375c	2883	Feed Forked Connection Hinge Screw for 174030	1518r	2883	Feed Connecting Link Hinge Screw Nut
375c	2883	Feed Lifting Rock Shaft Connecting Rod Hinge Screw	1518r	2883	Feed Forked Connection Hinge Screw Nut for 174030
435al	2880	Arm Shaft (horizontal) Bushing (intermediate) Set Screw	1518r	2883	Feed Lifting Rock Shaft Connecting Rod Hinge Screw Nut
435al	2880	Thread Take-up Lever Link Hinge Pin Set Screw	1519e	2883	Feed Bar Screw Centre Nut for 56813
435al	2880	Machine Pulley Set Screw for 174053	1520r	2887	Presser Bar Lifter Hinge Screw Nut
443al	2880	Arm Shaft (horizontal) Flanged Bushing (back) Set Screw	1521e	2891	Knee Lifter Lifting Lever Connecting Rod Lock Nut
443al	2880	Arm Shaft (horizontal) Flanged Bushing (front) Set Screw	1560c	2887	Tension Regulating Thumb Nut for 52098
448al	2880	Feed and Feed Lifting Eccentric Set Screw for 166030 and 174079	1747j	2882	Feed Reversing Lever Connection Screw (lower) Nut
448al	2887	Thread Take-up Spring Regulator Set Screw	2102	2887	Tension Disc for 147153
448c	2891	Knee Lifter Lifting Lever Pin Set Screw for 12237	2102	2624	Bobbin Winder Tension Disc for 225462
448al	2887	Feed Regulator Hinge Stud Set Screw	2763	2890	Knee Lifter Rock Shaft for 139633
453al	2884	Presser Bar Guide Bracket Set Screw for 52338	2765	2890	Knee Lifter Rock Shaft Knee Arm with 1507r, for 2768
591f	2888	Rotating Hook Bobbin Case Tension Regulating Screw for 52236	2766	2890	Knee Lifter Rock Shaft Knee Arm Hub with 356c, for 2768
592e	2888	Rotating Hook Bobbin Case Latch Stop Screw for 52237	2767	2890	Knee Lifter Rock Shaft Knee Plate with 356c, for 2768
624al	2882	Feed Reversing Lever Hinge Pin Set Screw for 174038	2768	—	Knee Lifter Rock Shaft Knee Arm 2765 with 2766 and 2767, for 84789 and 93815
624al	2887	Thread Retainer Set Screw	2770	2890	Knee Lifter Rock Shaft Stop Dog with 356c for 139633
688j	2884	Pressure Regulating Thumb Screw	2974	2888	Rotating Hook Bobbin Case Latch Lever Fulcrum Pin for 40393
689c	2887	Presser Bar Lifter Hinge Screw	2975	2888	Rotating Hook Bobbin Case Latch Spring for 52237
691x	2884	Throat Plate Screw	4307	2884	Bed Slide Spring for 24810
704j	2888	Rotating Hook Bobbin Case Holder Position Bracket Screw	5596	2890	Knee Lifter Bell Crank for 5598
			5598	2890	Knee Lifter Bell Crank 5596 with 5599, 5601 and 5735

NUMERICAL LIST OF PARTS

No.	Plate	Description	No.	Plate	Description
5599	2890	Knee Lifter Bell Crank Bracket for 5598	52028b	2890	Knee Lifter Lifting Lever Connecting Rod
5601	2891	Knee Lifter Bell Crank Hinge Pin for 5598	52073	2882	Feed Connecting Link Hinge Stud
5735	2891	Knee Lifter Bell Crank Spring for 5598	52097	—	Feed Lifting Rock Shaft Screw Centre 50191c with 1513j
6337	2890	Knee Lifter Rock Shaft Lifting Bracket with two 356c for 139633	52097	—	Feed Rock Shaft Screw Centre 50191c with 1513j
8879	2889	Arm Spool Pin Washer (cloth) (Accessories)	52098	—	Tension Stud 50304c with 1560c, for 147153
11170	2884	Presser Bar Spring Washer	52130	2882	Thread Take-up Lever Thread Eyelet Bushing for 52022 and 174102
12237	2890	Knee Lifter Lifting Lever with 448c	52165	2883	Feed Connecting Link for 174030
12240	2891	Knee Lifter Lifting Lever Pin	52182	2886	Arm Oil Tube with 52184, for oiling 52022, 127231, 174048 and 174102
12241	2884	Knee Lifter Lifting Lever Link	52184	2882	Arm Oil Tube with 52184, for oiling 52024
12327	2884	Presser Bar Lifting and Releasing Lever Bracket	52184	2882	Arm Top Cover Oil Tube (long) Packing (wick) for 174024-001
12329	2887	Tension Releasing Lever Spring	52184	2882	Arm Top Cover Oil Tube (long) Packing (wick) for 174024
12361-001	2892	Machine Hinge Connection (Accessories)	52185	2886	Arm Oil Tube (short) with 42367, for oiling 52022 and 174102
12391	2884	Presser Bar (hollow)	52193	2880	Arm Shaft (horizontal) Flanged Bushing (back) Oil Pad (braided cotton) for 174004 and 174062
12398	2887	Tension Releasing Lever Hinge Pin	52235	—	Rotating Hook Bobbin Case for 52236
12416r	2891	Knee Lifter Lifting Lever Connecting Rod Joint	52236	—	Rotating Hook Bobbin Case 52235 with 591f, 1380e and 40394, for 52237
12431	2884	Bed Slide for 24810	52237	2888	Rotating Hook Bobbin Case, complete, Nos. 592e, 2975, 40393 and 52236, for 143345, 174046 and 174092
12481	—	Feed Dog	52239	2889	Arm Spool Pin and Thread Eyelet (Accessories)
12482x	2885	Throat Plate, large needle hole, for 12481	52265	2883	Feed Lifting Rock Shaft Crank with 52267 for 174032
13710	2624	Bobbin Winder Tension Spring for 225462	52266	—	Feed Lifting Rock Shaft Crank Slide Block for 52267
16532	2889	Arm Dowel Pin	52267	2883	Feed Lifting Rock Shaft Crank Slide Block 52266 with 125060, for 52265
24041	2882	Needle Bar Connecting Stud with 140706al for 127232 and 174087	52279	2886	Arm Shaft (upright) Bushing (upper) Oil Wick (braided cotton) for 174013
24810	2884	Bed Slide, complete, Nos. 4307, 12431 and two 1208(809)	52280	2886	Arm Shaft (upright) Bushing (lower) Oil Pad (felt) for 166027
25866	2892	Guide (Accessories)	52280	2886	Arm Shaft (upright) Bushing (upper) Oil Pad (felt) for 174013
27739	2895	Thread Unwinder Thread Cone (wood) for large cones, for 225258	52280	2886	Rotating Hook Shaft Bushing (back) Oil Pad (felt) for 174106
29633	2883	Feed Rock Shaft Crank with 157c, for 174041	52307	2882	Needle Clamp with 51460f, for 127116
32574	2887	Tension Releasing Pin for 147153	52337	2884	Slack Thread Regulator
40392	2888	Rotating Hook Bobbin Case Latch for 40393	52338	2884	Presser Bar Guide Bracket with 223c and 453al
40393	—	Rotating Hook Bobbin Case Hinge Nos. 2974, 40392 and 125320, for 52237	52390	—	Presser Foot Shank for 52427
40394	2888	Rotating Hook Bobbin Case Tension Spring for 52236	52394	2887	Thread Take-up Spring for 147153
42367	2886	Arm Oil Tube Packing (braided cotton) for 52185	52426	—	Presser Foot Plate for 52427
43944	2887	Tension Releasing Lever	52427	2885	Presser Foot (spring, hinged), complete, Nos. 26231, 52390, 52426 and 62527
49010	2880	Arm Shaft (horizontal) Collar with two 1259al	52452	2883	Feed Bar
50053w	2886	Arm Side Cover Thumb Screw	52454	2887	Thread Retainer
50117al	2883	Feed Dog Screw	56032	2889	Feed Regulating Stud Head with 56033
50150c	2885	Rotating Hook Shaft Collar Screw for 66581	56033	2889	Feed Regulating Stud Head Stop Pin for 56032
50190w	2892	Guide Thumb Screw (Accessories)	56034	2889	Feed Regulating Stud Lock Pin
50191c	2883	Feed Lifting Rock Shaft Screw Centre, for 52097	56035	2889	Feed Regulating Stud Lock Pin Spring
50191c	2883	Feed Rock Shaft Screw Centre, for 52097	56813	—	Feed Bar Screw Centre 313c with 1519e
50193j	2889	Feed Regulating Stud Head Cap Screw	62527	—	Presser Foot Hinge Pin for 52427 and 161066
50200c	2882	Feed Connecting Link Hinge Stud Set Screw, for 174034	62926	—	Presser Foot Shank for 161066
50304c	2887	Tension Stud for 52098	66581	2885	Rotating Hook Shaft Collar with two 50150c
50305c	2887	Tension Stud Set Screw for 142090	82538	2895	Thread Unwinder Spool Pin Washer for 225257
50338e	2889	Feed Regulating Stud			
50591c	2882	Feed Reversing Lever Connection Screw (lower)			
50591c	2882	Feed Reversing Lever Connection Screw (upper)			
50608x	2889	Arm Pin Plug Screw (back)			
50668e	2886	Arm Shaft (horizontal) Bevel Gear Case (upper) Screw (long), for 174054			
50669e	2886	Arm Shaft (horizontal) Bevel Gear Case (upper) Screw (short), for 174054			
51369c	2884	Arm Top Cover Screw			
51460f	2882	Needle Clamp Screw for 52307			
52016	2887	Presser Bar Lifter			
52018	2888	Rotating Hook Bobbin Case Holder Position Bracket			
52024	2882	Thread Take-up Lever Link for 166035 and 174104			
52027	2887	Thread Guard (side of arm)			

NUMERICAL LIST OF PARTS

No.	Plate	Description	No.	Plate	Description
†85320	2893	Binder Folder for 85692	93815	2890	Knee Lifter Rock Shaft, complete, Nos. 2768, 139633, two 97502 and four wood screws 1" No. 10
85321	2893	Binder Tape Tension, complete, Nos. 85322, 85324, and eight 85323 for 85692	93992	—	Face Plate Thread Guard (lower) for 174028
85322	—	Binder Tape Tension Plate for 85321	97502	2890	Knee Lifter Rock Shaft Bracket for 93815
85323	—	Binder Tape Tension Pin (straight) for 85321	99552	2889	Belt Guard with 109706x for 174112
85324	—	Binder Tape Tension Pin (bent) for 85321	104211	2624	Bobbin Winder Pulley with 200380c for 104212
85325	2893	Binder Folder Screw Washer for 85692	104212	2624	Bobbin Winder (universal) complete, Nos. 104211, 200056e, 200082d, 200113f, 200299h, 202478, 225381, 225444, 225453 to 225456, 225458, 225462, 228026, 259428 to 259430, two each 225459 and wood screws $\frac{3}{4}$ " No. 12 R.H.B.
85325	2893	Binder Tape Tension Screw Washer for 85692	109050d	2893	Binder Folder Screw for 85692
85382	—	Corder Guide Extension Guide for 85877	109050d	2893	Binder Tape Tension Screw for 85692
85446	—	Hemmer Base, complete, Nos. 85447, 85448 and 113040d, for use with Nos. 86005, 86008 and 86010	109054e	2894	Hemmer Base Stud Screw for 85447
85447	88	Hemmer Base, with 109054e, for 85446	109574x	—	Face Plate Thread Guard (lower) Screw for 174028
85448	88	Hemmer Base Stud Screw Thumb Nut Washer for 85446	109574x	—	Face Plate Thread Guard (upper) Screw for 174028
85686	2893	Feed Dog for 85692	109706x	2889	Belt Guard Set Screw
85687	—	Presser Foot Bracket for 85690	109706x	2889	Belt Guard Support Screw for 99552
85688	—	Presser Foot Bracket Hinge Pin for 85690	113040d	88	Hemmer Base Stud Screw Thumb Nut for 85446
85689	—	Presser Foot Sole for 85690	125060	—	Feed Lifting Rock Shaft Crank Slide Block Stud for 52267
85690	2893	Presser Foot (hinged), complete, Nos. 85687 to 85689, for 85692	125320	2888	Rotating Hook Bobbin Case Latch Lever for 40393
85691	2893	Throat Plate for 85686, for 85692	127088	2882	Needle Bar (hollow) for 127116
†85692	2893	Binder, complete, Nos. 85320, 85321, 85686, 85690, 85691, two each 85325, and 109050d, for general work	127108	2884	Presser Bar Spring
85876	—	Presser Foot for 85877	127116	—	Needle Bar 127088 with 229w, 52307 and 127323
85877	562	Corder Guide (adjustable), complete, Nos. 228d, 85382 and 85876	127156	2880	Feed Lifting Rock Shaft Connecting Rod with 127157 and two 966e
85881	562	Cording and Hemming Foot	*127157	2880	Feed Lifting Rock Shaft Connecting Rod Cap for 127156
85896	2894	Felling Foot, $\frac{3}{8}$ " fell	127306x	2884	Throat Plate, large needle hole, for 149446
†85897	562	Felling Foot (steel)	127323	2882	Needle Bar Thread Guard, for 127116
85955	562	Gathering Foot	139622	—	Drip Pan with four $\frac{3}{4}$ " wire nails
†86005	88	Hemmer ($\frac{3}{8}$ " to $\frac{1}{2}$ " in grades of $\frac{1}{16}$ ")	139623	2890	Knee Lifter Rock Shaft Lifting Bracket Hook for 139633
†86008	88	Hemmer (1 " to $1\frac{1}{2}$ ", in grades of $\frac{1}{4}$ ")	139633	—	Knee Lifter Rock Shaft 2763 with 2770, 6337 and 139623 for 93815
†86010	88	Hemmer ($1\frac{3}{8}$ " and $1\frac{1}{2}$ ")	140410al	2886	Arm Shaft (upright) Bushing (lower) Set Screw
†86025	562	Hemmer (foot) ($\frac{1}{16}$ " to $\frac{3}{32}$ " hem, in grades of $\frac{1}{32}$ ")	140706al	2882	Needle Bar Connecting Stud Clamping Screw, for 24041
86041	2894	Quilter Clamp, with 207d, for 86043	140782c	2886	Arm Shaft (upright) Bushing (upper) Set Screw
86042	2894	Quilter Rod for 86043	140783x	2884	Face Plate Screw (upper)
86043	2894	Quilter, complete, Nos. 86041 and 86042	142090	2887	Thread Take-up Spring Regulator with 50305c for 147153
†86182	562	Cording Foot (grooved on right side)	143014	2886	Arm Shaft (upright) Bevel Gear (lower) with two 1259al for 143295
86188	2894	Presser Foot (narrow) for narrow tucking	143015	2880	Arm Shaft (upright) Bevel Gear (upper) with two 1259al for 174051
86193	2894	Gathering Foot (slotted)	143081	2886	Rotating Hook Shaft Bevel Gear with two 1259al, for 143295
86537	—	Hemmer (foot, flat sole) $\frac{1}{16}$ "	143184	2884	Presser Bar Bushing (lower)
86538	—	Hemmer (foot, flat sole) $\frac{3}{32}$ "	143295	2886	Set of Mated Gears (lower shaft) complete, Nos. 143014 and 143081
†86539	2894	Hemmer (foot, flat sole)			
86540	—	Hemmer (foot, flat sole) $\frac{5}{32}$ "			
86541	—	Hemmer (foot, flat sole) $\frac{3}{16}$ "			
86542	—	Hemmer (foot, flat sole) $\frac{7}{32}$ "			
86543	—	Hemmer (foot, flat sole) $\frac{1}{2}$ "			
86544	—	Hemmer (foot, flat sole, with groove) $\frac{1}{16}$ "			
†86545	—	Hemmer (foot, flat sole, with groove)			
86546	2894	Hemmer (foot, flat sole, with groove) $\frac{1}{4}$ "			
†86547	—	Hemmer (foot, flat sole, with groove)			
86548	—	Hemmer (foot, flat sole, with groove) $\frac{3}{16}$ "			
86549	—	Hemmer (foot, flat sole, with groove) $\frac{1}{2}$ "			
86550	—	Hemmer (foot, flat sole, with groove) $\frac{1}{4}$ "			
86720	2892	Oiler (Accessories)			
87623	—	Machine Rest Pin (Accessories)			

† Refer to Form K2170 to determine appropriate suffix for gauge required before ordering.

NUMERICAL LIST OF PARTS

No.	Plate	Description	No.	Plate	Description
143345	—	Rotating Hook Bobbin Case 52237 with 143346 (for agents only)	174103	2882	Thread Take-up Lever Guard
143346	2888	Rotating Hook Bobbin Case Holder for 143345, 174045 and 174091	174105r	2889	Belt Guard Support for 174112
144768	2886	Arm Shaft (upright) Bushing (lower) Oil Wick (braided cotton), for 166027	174106	2886	Rotating Hook Shaft Bushing (back) 174048 with 52280 and 144801
144801	2886	Rotating Hook Shaft Bushing (back) Oil Wick (braided cotton), for 174106	174107	2880	Arm Shaft (horizontal) Bevel Gear with two 1259al for 174051
147151	2887	Tension Releasing Disc for 147153	174112	2889	Belt Guard, complete, Nos. 624al, 99552 and 174105r
147152	2887	Tension Spring for 147153			(supplied only when specified on order at no extra charge)
147153	—	Tension, complete, Nos. 32574, 52098, 52394, 142090, 147151, 147152 and two 2102	174115	2884	Face Plate Thread Guard (upper) for 174028
149446	2885	Feed Dog	174121	—	Rotating Hook 174044 with 270876 and three 1387e (for agents only)
150203	2895	Thread Unwinder Spool Rest Cushion (felt) for 225258			
161065	—	Presser Foot Plate for 161066			
†161066	2884	Presser Foot (spring hinged) complete, Nos. 62527, 62926, 161065 and 161160			
161160	—	Presser Foot Spring for 161066			
161294	2892	Screw Driver (large) (Accessories)			
161295	2892	Screw Driver (small) (Accessories)			
166024	2882	Thread Take-up Lever Link Hinge Pin for 166025 and 174099			
*166026	2886	Arm Shaft (upright) Bushing (lower) for 166027			
166027	2886	Arm Shaft (upright) Bushing (lower) 166026 with 52280 and 144768			
166033	2881	Feed and Feed Lifting Eccentric Retaining Ring for 166031 and 174080			
166036	—	Feed Regulator Hinge Stud			
174011	2880	Arm Shaft (upright)			
174012	2886	Arm Shaft (upright) Bushing (upper) for 174013			
174013	2886	Arm Shaft (upright) Bushing (upper) 174012 with 52279 and 52280			
174014	2886	Arm Side Cover			
174023-001	—	Arm Top Cover Oil Tube (long) for 174024-001			
174024-001	2884	Arm Top Cover Oil Tube (long) 174023-001 with 52184, for 174016 and 174074			
174027	2884	Face Plate for 174028			
174028	2884	Face Plate, complete, Nos. 93992, 174027, 174115 and two 109574x			
174029	2883	Feed Forked Connection for 174030			
174030	2883	Feed Forked Connection 174029 with 375c, 1518r and 52165			
174031	2883	Feed Lifting Rock Shaft for 174032			
174032	—	Feed Lifting Rock Shaft, complete, Nos. 52265 and 174031			
174033	2882	Feed Regulator for 174034			
174034	2882	Feed Regulator 174033 with 50200c			
174035	2882	Feed Regulator Spring			
174036	2882	Feed Regulator Spring Bracket (hook)			
174037	2882	Feed Reversing Lever for 174038			
174038	2882	Feed Reversing Lever 174037 with 624al			
174039	2882	Feed Reversing Lever Connection			
174040	2883	Feed Rock Shaft for 174041			
174041	—	Feed Rock Shaft, complete, Nos. 29633 and 174040			
174048	2886	Rotating Hook Shaft Bushing (back)			
174051	—	Set of Mated Gears (upper shaft) complete, Nos. 143015 and 174107			
174053	2880	Machine Pulley "V" Belt groove (outside diam. of belt groove 2.9"), with two 435al			
174054	2886	Arm Shaft (horizontal) Bevel Gear Case (upper) (two pieces) with 50668e, 50669e			
174055	2886	Arm Side Shield			
174056	2882	Needle Bar Bushing (lower)			
174057	2886	Rotating Hook Shaft Bevel Gear Case (lower) (two pieces) and three 145e			

† Sent with machine unless otherwise specified on order.

NUMERICAL LIST OF PARTS

No.	Plate	Description	No.	Plate	Description
200056e	2624	Bobbin Winder Stop Latch Screw for 104212	276160	2882	Feed Reversing Lever Handle
200082d	2624	Bobbin Winder Tension Bracket Screw for 104212			
200113f	2624	Bobbin Winder Brake Clamp Screw for 104212			
200299h	2624	Bobbin Winder Stop Latch Trip Lever Hinge Screw for 104212			
200380c	2624	Bobbin Winder Pulley Set Screw for 104211			
200383c	2895	Thread Unwinder Spool Rest Rod Set Screw for 259658	Catalogue 2254	—	Needles (16×231), two each sizes 16, 18 and 19 with Accessories and one size 14 in Machine
200575x	2882	Feed Reversing Lever Handle Screw			
201018c	2895	Thread Unwinder Spool Rest Set Screw for 225257			
201499h	2624	Bobbin Winder Tension Stud for 225461			
201528h	2895	Thread Unwinder Spool Pin Nut for 225257			
201529x	2882	Feed Reversing Lever Handle Screw Nut			
201572h	2624	Bobbin Winder Tension Stud Thumb Nut for 225462			
201696h	2895	Thread Unwinder Thread Guide Lock Nut for 225258			
202478	2624	Bobbin Winder Stop Latch Trip Lever for 104212			
225257	2895	Thread Unwinder Spool Rest with 201018c, two each 82538, 201528h and 228692, for 225258			
225258	2895	Thread Unwinder (for two spools of thread), complete, Nos. 201696h, 225257, 225324, 225326, 225388, 259658, two each 150203, 225391 and three wood screws $\frac{3}{8}$ " No. 12 supplied with machine			
225322	2895	Thread Unwinder Thread Guide Rod Washer for 225324			
225324	2895	Thread Unwinder Thread Guide Rod with 208al and 225322, for 225258			
225326	2895	Thread Unwinder Thread Guide Position Cup for 225258			
225381	2624	Bobbin Winder Spindle for 104212			
225388	2895	Thread Unwinder Spool Rest Rod for 225258			
225391	2895	Thread Unwinder Thread Guide for 225258			
225444	2624	Bobbin Winder Stop Latch for 104212			
225453	2624	Bobbin Winder Frame with 244071 and 259660, for 104212			
225454	2624	Bobbin Winder Frame Hinge Pin for 104212			
225455	2624	Bobbin Winder Frame Spring for 104212			
225456	2624	Bobbin Winder Frame Spring Plunger for 104212			
225458	2624	Bobbin Winder Stop Latch Thumb Lever for 104212			
225459	2624	Bobbin Winder Stop Latch Thumb Lever Hinge Stud for 104212			
225459	2624	Bobbin Winder Stop Latch Thumb Lever Joint Stud for 104212			
225461	2624	Bobbin Winder Tension Bracket with 201499h, for 225462			
225462	2624	Bobbin Winder Tension Bracket, complete, Nos. 13710, 201572h, 225461 and two 2102, for 104212			
228026	2624	Bobbin Winder Tension Bracket Screw Washer for 104212			
228692	2895	Thread Unwinder Spool Pin for 225257			
244071	2624	Bobbin Winder Frame Oil Packing (wick) for 225453			
259428	2624	Bobbin Winder Brake (leather) for 104212			
259429	2624	Bobbin Winder Brake Clamp for 104212			
259430	2624	Bobbin Winder and Tension Bracket Base for 104212			
259658	2895	Thread Unwinder Spool Stand with 200383c for 225258			
259660	2624	Bobbin Winder Frame Oil Well Washer for 225453			
270874	2888	Rotating Hook Thread Guard for 174044 and 174090			
270876	2888	Rotating Hook Section for 174045 and 174091			
276159	2882	Feed Reversing Lever Hinge Pin			

NUMERICAL LIST OF PARTS

Special to 196K5 Machine

No.	Plate	Description	No.	Plate	Description
144c	2881	Arm Shaft (horizontal) Screw	174008	2881	Arm Shaft (horizontal) Flanged Bushing (front) Oil Tube 174007 with 52184
775e	2881	Needle Bar Connecting Link Cap Screw for 52270	174009	—	Arm Shaft (horizontal) Bushing (intermediate) Oil Tube for 174010
1037al	2881	Thread Take-up Crank Position Screw for 174109	174010	2881	Arm Shaft (horizontal) Bushing (intermediate) Oil Tube 174009 with 52184
40264	2885	Rotating Hook Bobbin	174015-001	2885	Arm Top Cover for 174016
52014	2885	Needle Bar Bushing (upper)	174016	—	Arm Top Cover 174015-001 with 52239, 174018, 174021 and 174024
52022	2881	Thread Take-up Lever with 52130, for 166035	174017	—	Arm Top Cover Oil Tube (short) for 174018
52184	2882	Arm Top Cover Oil Tube (bent) Packing (wick) for 174021	174018	2885	Arm Top Cover Oil Tube (short) 174017 with 52184 for 174016
52184	2882	Arm Top Cover Oil Tube (short) Packing (wick) for 174018	174020	—	Arm Top Cover Oil Tube (bent) for 174021
52193	2880	Arm Shaft (horizontal) Bushing (intermediate) Oil Pad (braided cotton) for 52262	174021	2885	Arm Top Cover Oil Tube (bent) 174020 with 52184 for 174016
52193	2880	Arm Shaft (horizontal) Flanged Bushing (front) Oil Pad (braided cotton) for 174006	*174026	—	Bed
52194	2880	Arm Shaft (horizontal) Flanged Bushing (back) Oil Pad (felt) for 174004	174042	2885	Note: Due to the accuracy required for gear alignment, Bed cannot be supplied separately and can only be sent out as a unit, Arm and Bed assembled.
52194	2880	Arm Shaft (horizontal) Flanged Bushing (front) Oil Pad (felt) for 174006	174043	—	Rotating Hook for 174043
52207	2881	Needle Bar Connecting Link Lubricating Pad (wood) for 127231	174044	—	Rotating Hook 174042 with two 1253al, for 174044
52216	2881	Thread Take-up Crank for 52270	174045	—	Rotating Hook 174043 with 270874 and four 1053e for 174045
52239	2885	Arm Top Cover Spool Pin and Thread Eyelet for 174016	174046	—	Rotating Hook 174044 with 143346, 270876 and three 1367e for 174046
52261	—	Arm Shaft (horizontal) Bushing (intermediate) for 52262	174047	2885	Rotating Hook 174045 with 52237
52262	2881	Arm Shaft (horizontal) Bushing (intermediate) 52261 with 52193 and 52263	174049	2885	Rotating Hook Shaft
52263	2881	Arm Shaft (horizontal) Bushing (intermediate) Oil Pad (felt) for 52262	174050	2885	Rotating Hook Shaft Bushing (front) for 174050
52270	—	Thread Take-up Crank 52216 with 775e and 127232 for 166025	174108	—	Rotating Hook Shaft Bushing (front) 174049 with 52280 and 144801
52280	2886	Rotating Hook Shaft Bushing (front) Oil Pad (felt) for 174050	174109	2881	Arm Shaft (horizontal) for 174002
127231	2881	Needle Bar Connecting Link with 52207 for 127232			Needle Bar Crank with 1036al, 1037al and 1065al for 174002
127232	—	Needle Bar Connecting Link 127231 with 24041 for 52270			
142008	2885	Rotating Hook Shaft Bushing (front) Oil Cup			
144801	2886	Rotating Hook Shaft Bushing (front) Oil Wick (braided cotton) for 174050			
166025	—	Thread Take-up, complete, Nos. 52270, 166024 and 166035			
166030	2881	Feed and Feed Lifting Eccentric with two 448al for 166031			
166031	—	Feed and Feed Lifting Eccentric 166030 with 166033 and 166034			
166034	2881	Feed and Feed Lifting Eccentric Sleeve for 166031			
166035	—	Thread Take-up Lever, complete, Nos. 52022 and 52024			
*174001	—	Arm Note: Due to the accuracy required for gear alignment, Arm cannot be supplied separately and can only be sent out as a unit, Arm and Bed assembled.			
174002	2881	Arm Shaft (horizontal) 174108 with 174109			
174003	—	Arm Shaft (horizontal) Flanged Bushing (back) for 174004			
174004	2881	Arm Shaft (horizontal) Flanged Bushing (back) 174003 with 52193 and 52194			
174005	—	Arm Shaft (horizontal) Flanged Bushing (front) for 174006			
174006	2881	Arm Shaft (horizontal) Flanged Bushing (front) 174005 with 52193 and 52194			
174007	—	Arm Shaft (horizontal) Flanged Bushing (front) Oil Tube for 174008			

NUMERICAL LIST OF PARTS

Special to 196K205 Machine

No.	Plate	Description	No.	Plate	Description
402x	2882	Thread Take-up Crank Screw Plug for 174100	174066	2880	Arm Shaft (horizontal) Bushing (intermediate) Oil Wick Holder Oil Tube Pad (felt) for 174072
691f	2888	Rotating Hook Shaft Bushing (front) Oil Reservoir Cover Screw	174066	2880	Arm Shaft (horizontal) Flanged Bushing (front) Oil Wick Holder Oil Tube Pad (felt) for 174067
52184	2882	Thread Take-up Crank Packing (wick) for 174100	174067	2880	Arm Shaft (horizontal) Flanged Bushing (front) Oil Wick Holder Oil Tube 174065 with 140835x and 174066
52194	2880	Feed and Feed Lifting Eccentric Sleeve Oil Pad for 174081	174068	—	Arm Shaft (horizontal) Oil Wick for 174060
52289	2880	Arm Shaft (horizontal) Flanged Bushing (back) Oil Pad (felt) for 174062	174069	2880	Arm Shaft (horizontal) Plug Screw (back) Washer (fibre) for 174060
52289	2880	Arm Shaft (horizontal) Flanged Bushing (front) Oil Pad (felt) for 174064	174070	2880	Arm Shaft (horizontal) Bushing (intermediate)
140231c	2882	Needle Bar Connecting Link Cap Screw for 174101	174071	2880	Arm Shaft (horizontal) Bushing (intermediate) Oil Wick Holder Oil Tube for 174072
140609al	2880	Thread Take-up Crank Clamping Screw, for 174111	174072	2880	Arm Shaft (horizontal) Bushing (intermediate) Oil Wick Holder Oil Tube 174071 with 140835x and 174066
140640e	2880	Arm Shaft (horizontal) Plug Screw (front) for 174060	174073	2884	Arm Top Cover for 174074
140835x	2880	Arm Shaft (horizontal) Bushing (intermediate) Oil Wick Holder Oil Tube Cap Screw for 174072	174074	—	Arm Top Cover, complete, Nos. 174024, 174073, 174075, 174077 and two 174076
140835x	2880	Arm Shaft (horizontal) Flanged Bushing (front) Oil Wick Holder Oil Tube Cap Screw for 174067	174075	2884	Arm Top Cover Oil Cap for 174074
140836d	2880	Arm Shaft (horizontal) Plug Screw (back) for 174060	174076	2884	Arm Top Cover Oil Tube (short) for 174074
143042	2886	Rotating Hook Shaft Oil Filter Wick for 143350	174077	2884	Arm Top Cover Oil Tube (short) Packing (wick) for 174074
143056	2882	Needle Bar Connecting Link Roller Bearing for 174101	*174078	—	Bed
143056	2882	Thread Take-up Lever Link Roller Bearing for 174099			Note: Due to the accuracy required for gear alignment, Bed cannot be supplied separately and can only be sent out as a unit, Arm and Bed assembled.
143098	2882	Thread Take-up Lever Link Roller Bearing Retaining Washer for 174099	174079	2880	Feed and Feed Lifting Eccentric, with two 448al for 174080
143241	2887	Thread Take-up Crank Wearing Plate	174080	—	Feed and Feed Lifting Eccentric 174079 with 166033 and 174081
143301	2888	Rotating Hook Oil Wick (felt) for 174089	174081	2880	Feed and Feed Lifting Eccentric Sleeve with 52194 and 174082 for 174080
143349	2886	Rotating Hook Shaft Oil Filter Wick Holder for 143350	174082	2880	Feed and Feed Lifting Eccentric Sleeve Oil Pad Retainer for 174081
143350	2886	Rotating Hook Shaft Oil Filter, complete, Nos. 143042 and 143349 for 174094	174083	2882	Needle Bar Bushing (upper)
143351	2888	Rotating Hook Wiper (leather)	174084	2882	Needle Bar Bushing (upper) Oil Wick for 174085
144768	2886	Rotating Hook Shaft Bushing (front) Oil Wick (braided cotton) for 166027	174085	2882	Needle Bar Bushing (upper) Oil Wick 174084 with 146580
144833	2880	Arm Shaft (horizontal) Flanged Bushing (front) Oil Pad (braided cotton) for 174064	174086	2882	Needle Bar Connecting Link for 174087
146580	2882	Needle Bar Bushing (upper) Oil Wick Clip for 174085	174087	—	Needle Bar Connecting Link 174086 with 24041 for 174101
147109	2880	Arm Shaft (horizontal) Plug Screw (front) Washer (fibre) for 174060	174088	2888	Rotating Hook for 174089
*174058	—	Arm	174089	—	Rotating Hook 174088 with 143301, 270878 and two 1253al for 174090
		Note: Due to the accuracy required for gear alignment, Arm cannot be supplied separately and can only be sent out as a unit, Arm and Bed assembled.	174090	—	Rotating Hook 174089 with 143351, 270874 and four 1053e for 174091
174059	2880	Arm Shaft (horizontal) 174110 with 174111 for 174060	174091	—	Rotating Hook 174090 with 143346, 270876 and three 1367e for 174092
174060	—	Arm Shaft (horizontal) 174059 with 140640e, 140836d, 147109, 174068 and 174069	174092	—	Rotating Hook 174091 with 52237
174061	—	Arm Shaft (horizontal) Flanged Bushing (back) for 174062	174093	2886	Rotating Hook Shaft for 174094
174062	2880	Arm Shaft (horizontal) Flanged Bushing (back) 174061 with 52193 and 52289	174094	2886	Rotating Hook Shaft 174093 with 143350
174063	—	Arm Shaft (horizontal) Flanged Bushing (front) for 174064	174095	2886	Rotating Hook Shaft Bushing (front) for 174096
174064	2880	Arm Shaft (horizontal) Flanged Bushing (front) 174063 with 52289 and 144833	174096	2886	Rotating Hook Shaft Bushing (front) 174095 with 144768
174065	2880	Arm Shaft (horizontal) Flanged Bushing (front) Oil Wick Holder Oil Tube for 174067	174097	2888	Rotating Hook Shaft Bushing (front) Oil Reservoir Cover
			174098	2888	Rotating Hook Shaft Bushing (front) Oil Reservoir Cover Pad
			174099	—	Thread Take-up, complete, Nos. 143098, 166024, 174101, 174104 and eighteen 143056
			174100	—	Thread Take-up Crank with 402x and 52184 for 174101

NUMERICAL LIST OF PARTS

Special to 196K205 Machine

No.	Plate	Description	No.	Plate	Description
174101	—	Thread Take-up Crank 174100 with 140231c, 174087 and eighteen 143056 for 174099			
174102	2882	Thread Take-up Lever with 52130 for 174104			
174104	—	Thread Take-up Lever, complete, Nos. 52024 and 174102 for 174099			
174110	—	Arm Shaft (horizontal) for 174059			
174111	2880	Needle Bar Crank with 1065al and 140609al for 174059			
174113	2888	Rotating Hook Shaft Bushing (front) Oil Reservoir Cover Gasket			
270010	2888	Rotating Hook Bobbin			
270878	2888	Rotating Hook Oil Retaining Washer (felt) for 174089			

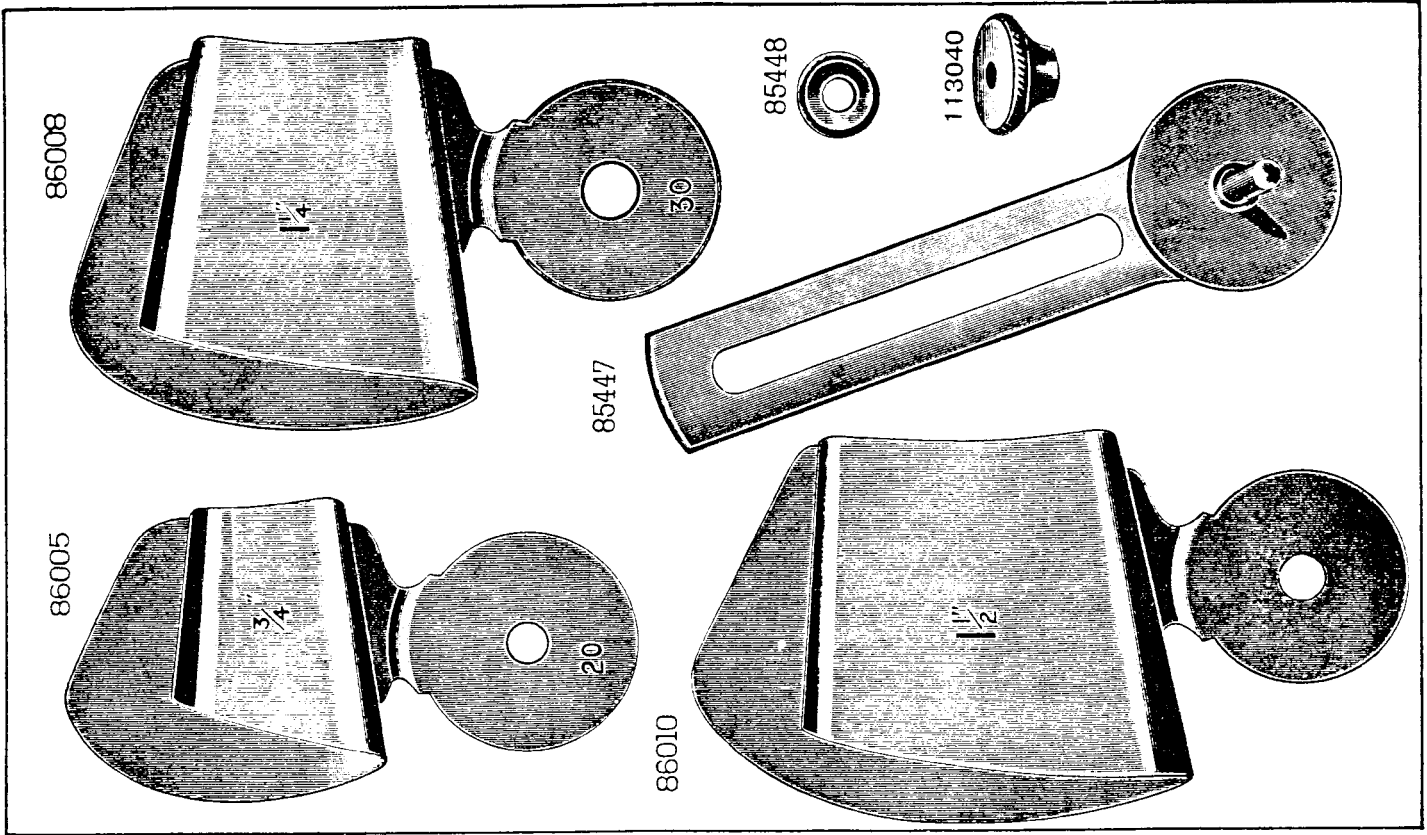
Special to 196K305 Machine

Parts for 196K305 machine are the same as those for 196K205 Machine with the following exceptions:—

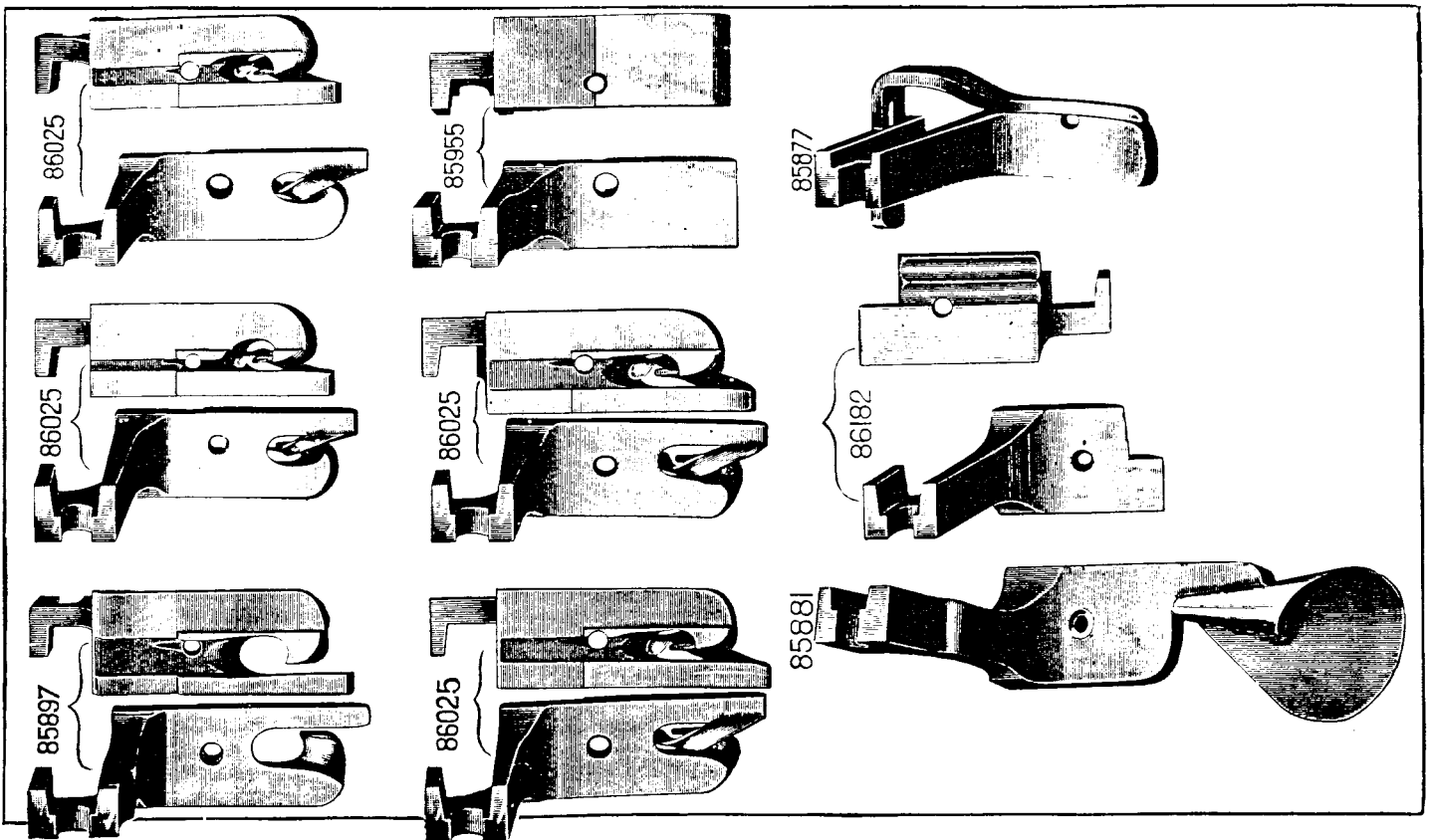
Part No.	Plate	Description
17599(809)	—	Presser Regulating Thumb Screw and Presser Bar Guide
90927	—	Thread Take-up Lever Guard
98976	—	Thread Take-up Lever with 52024 for 98977
98977	—	Thread Take-up Crank with Thread Take-up Lever, complete, Nos. 98976, 166024, 174101 and eighteen 143056
147057	—	Presser Bar
147291	—	Presser Bar Spring
149160	—	Thread Take-up Crank Wearing Plate

ILLUSTRATIONS

88

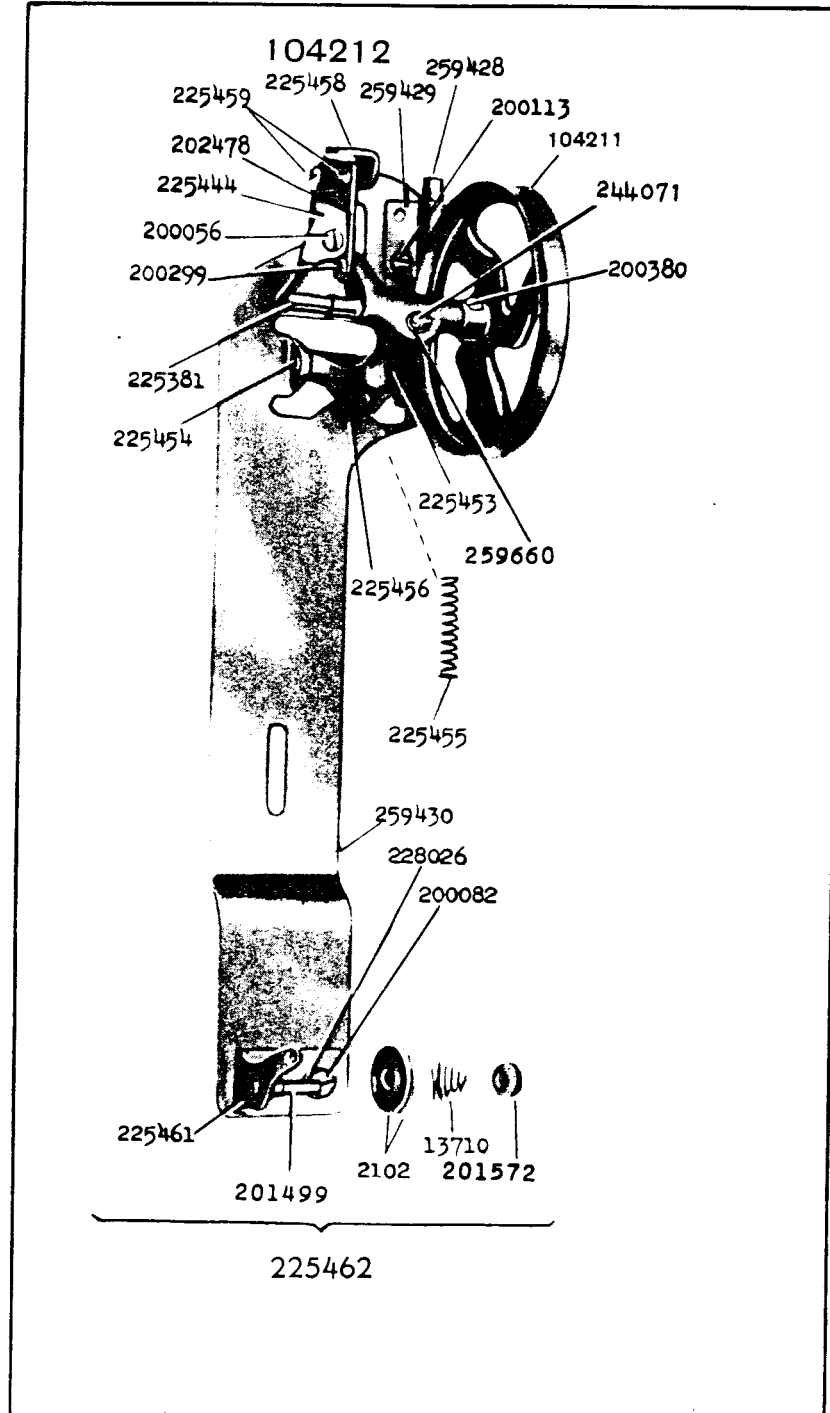


562



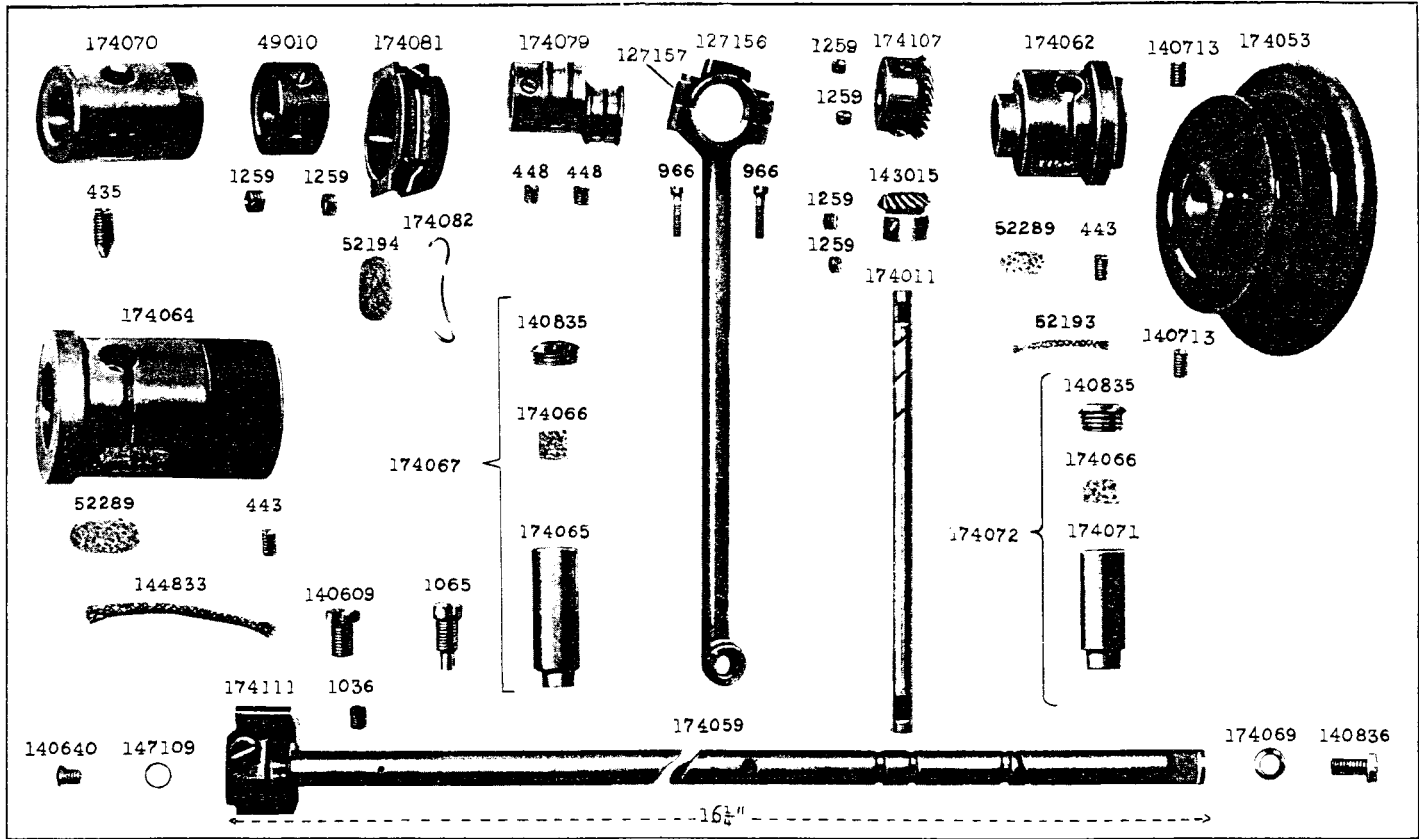
ILLUSTRATIONS

2624 - $\frac{3}{8}$

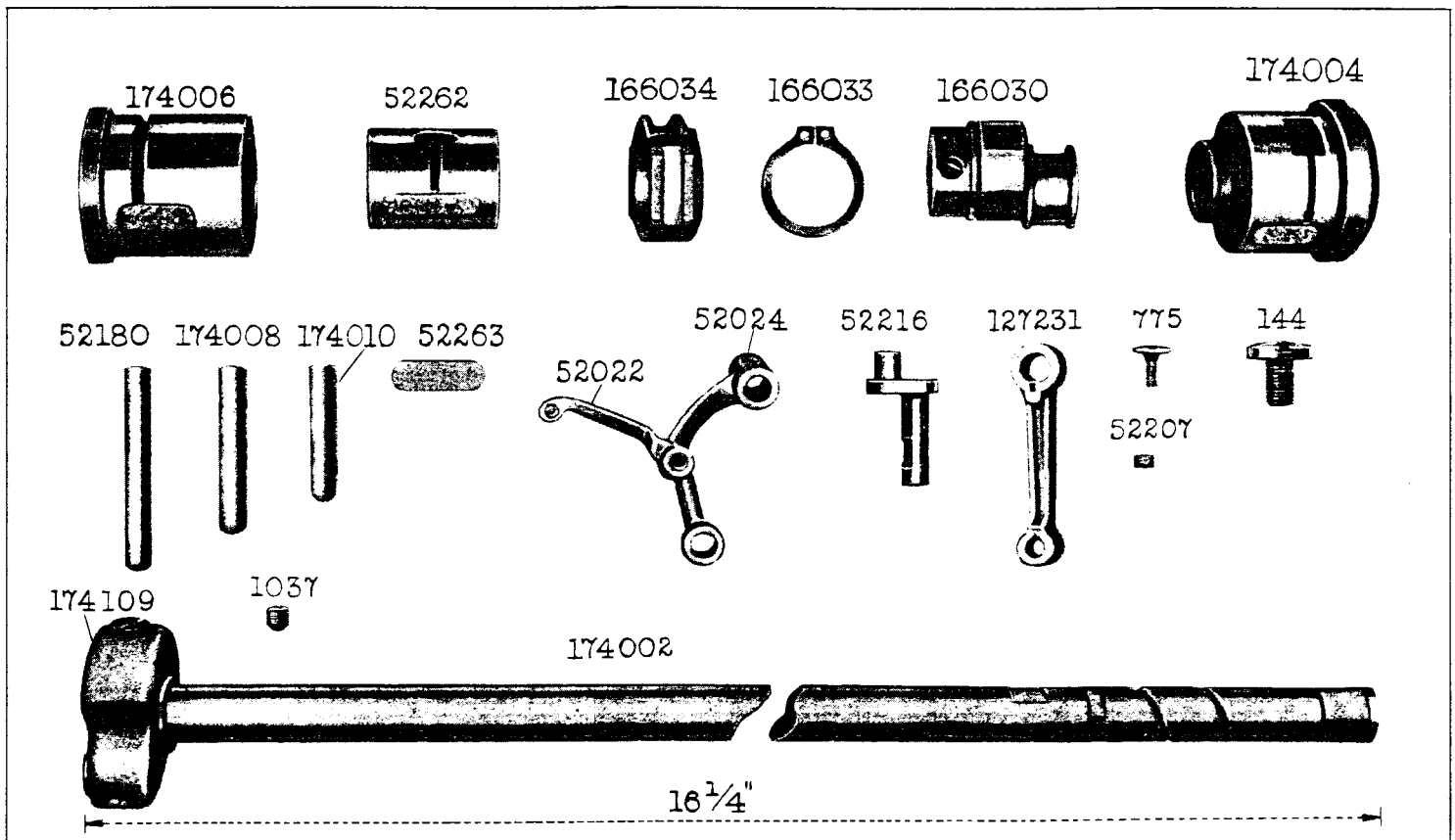


ILLUSTRATIONS

2880 - $\frac{3}{8}$

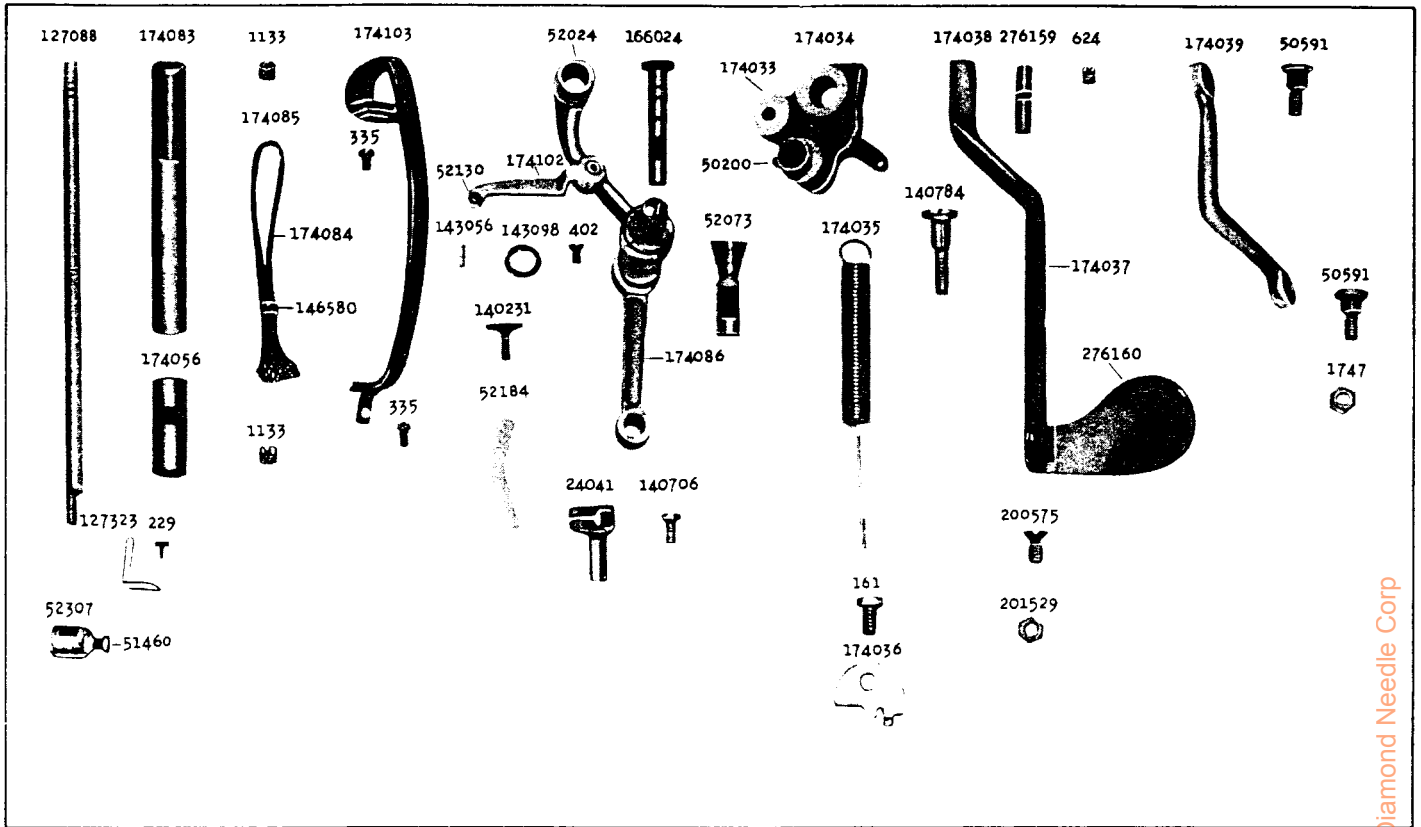


2881 - $\frac{1}{2}$

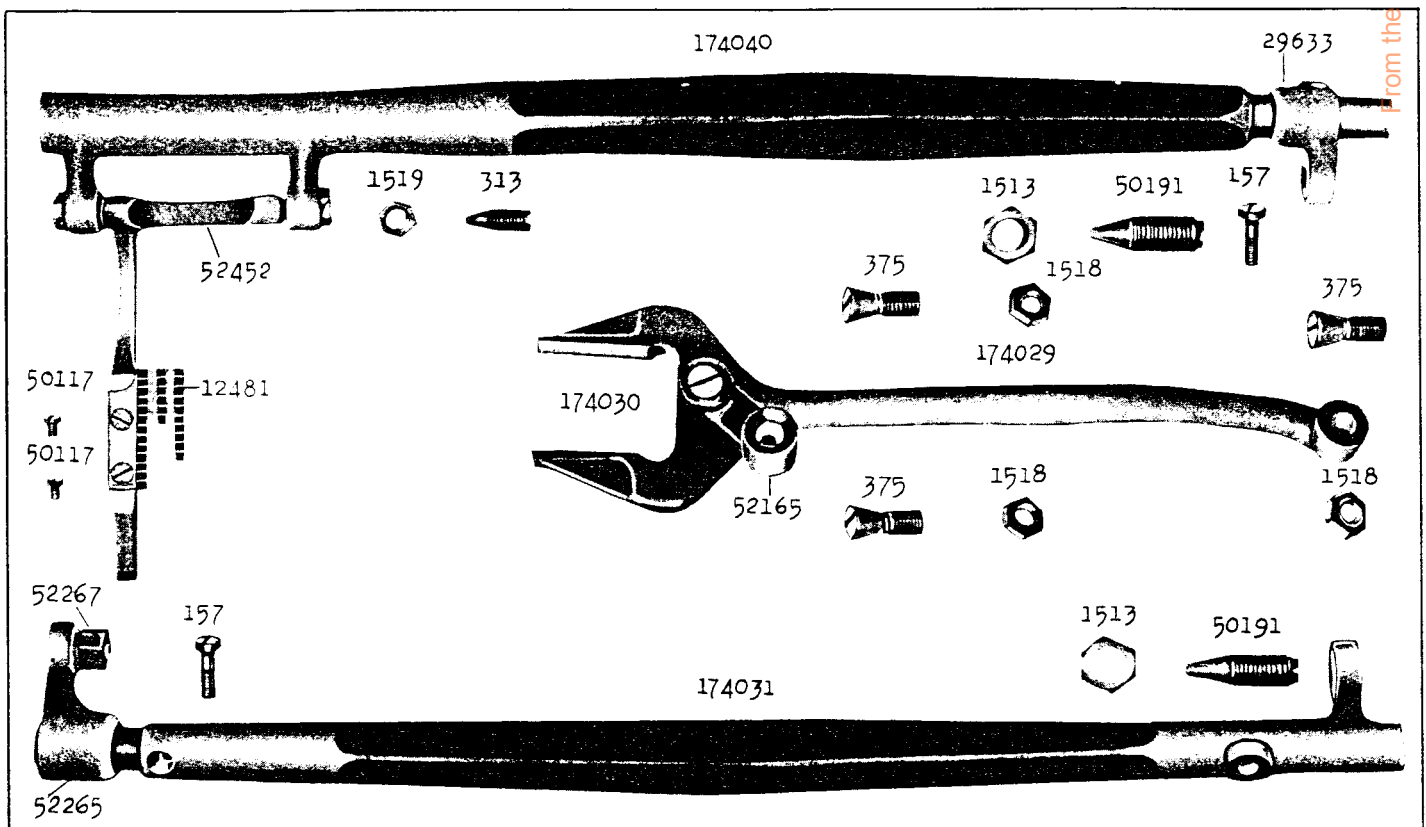


ILLUSTRATIONS

2882 - $\frac{3}{8}$



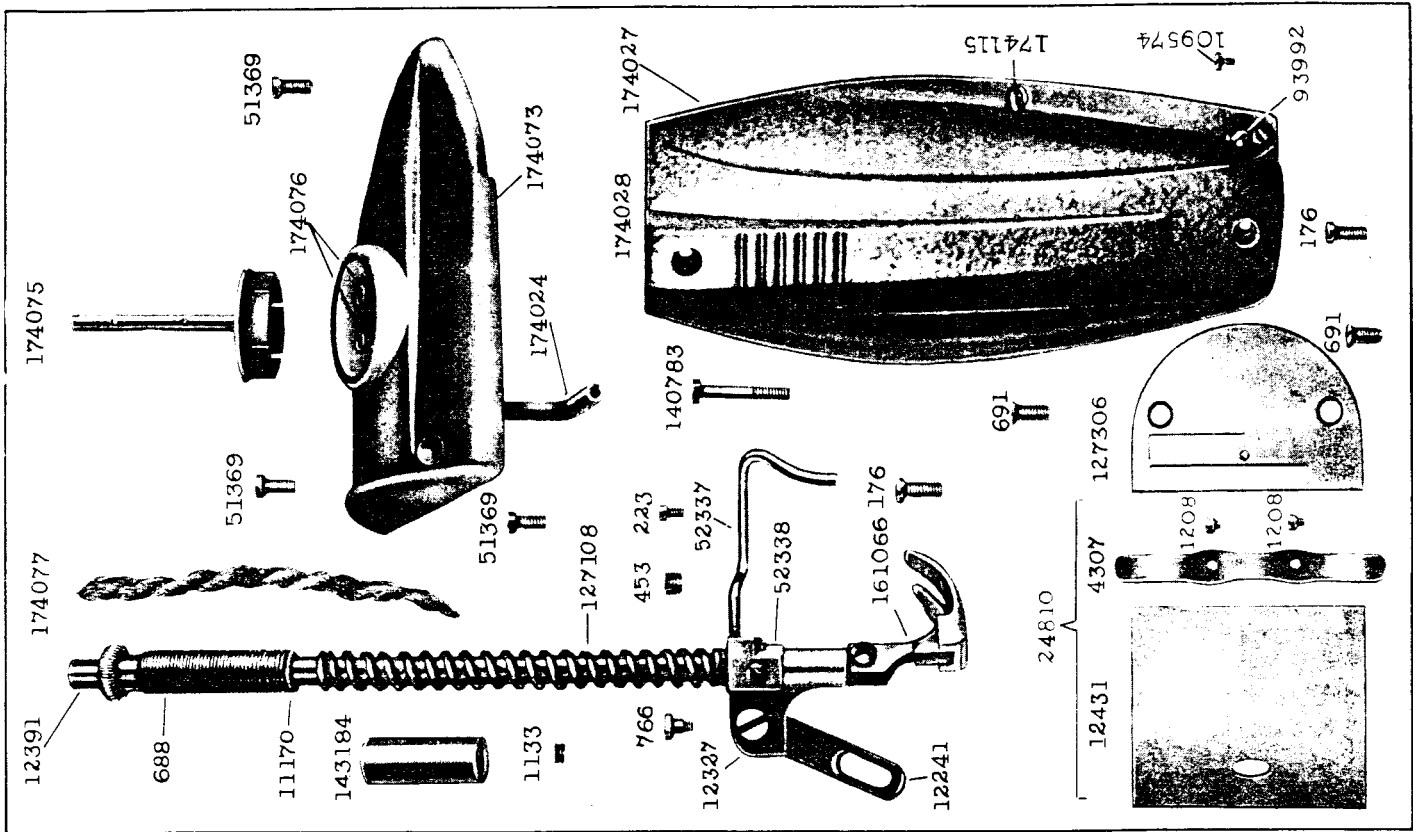
2883 - $\frac{1}{2}$



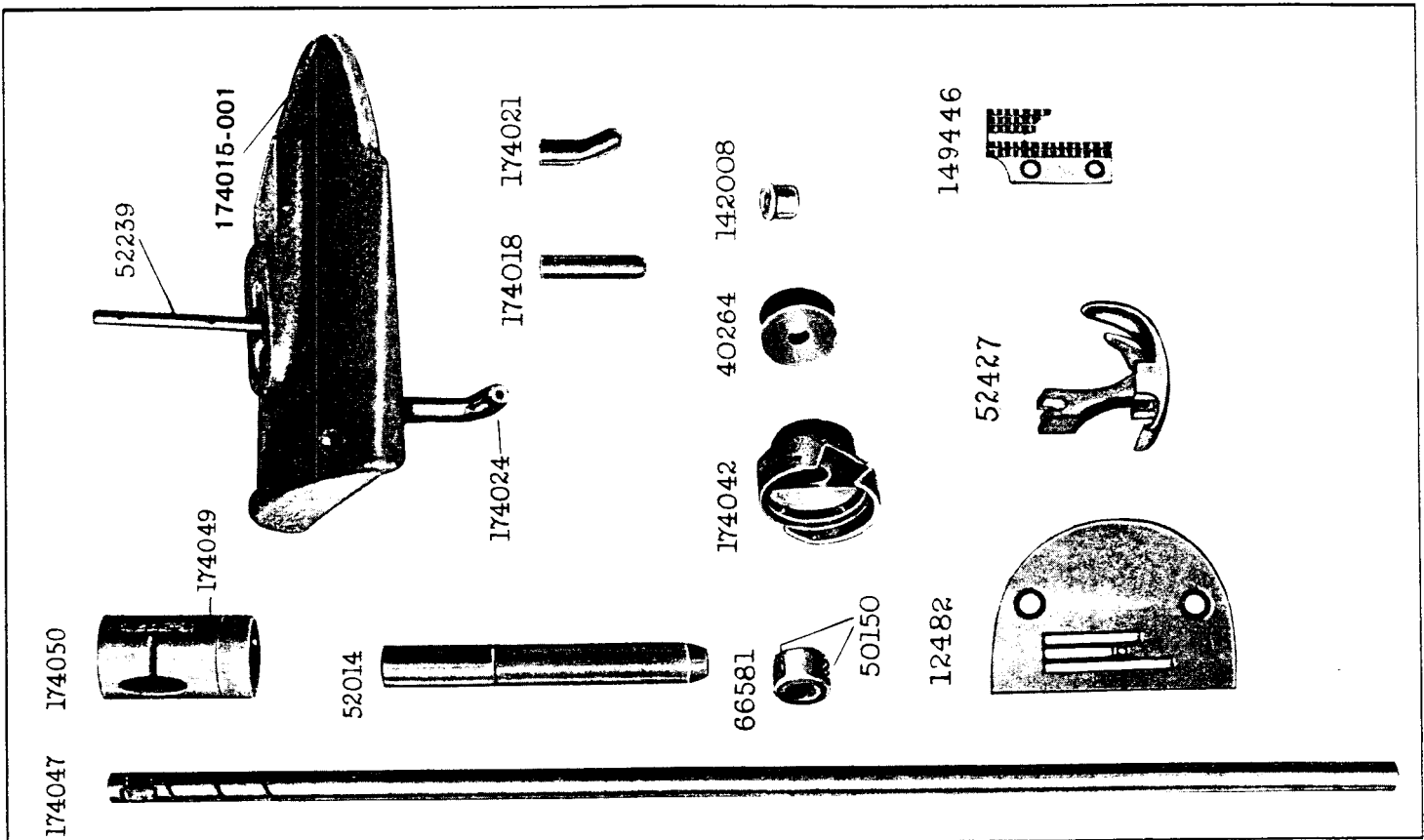
From the library of: Diamond Needle Corp

ILLUSTRATIONS

2884 - 3

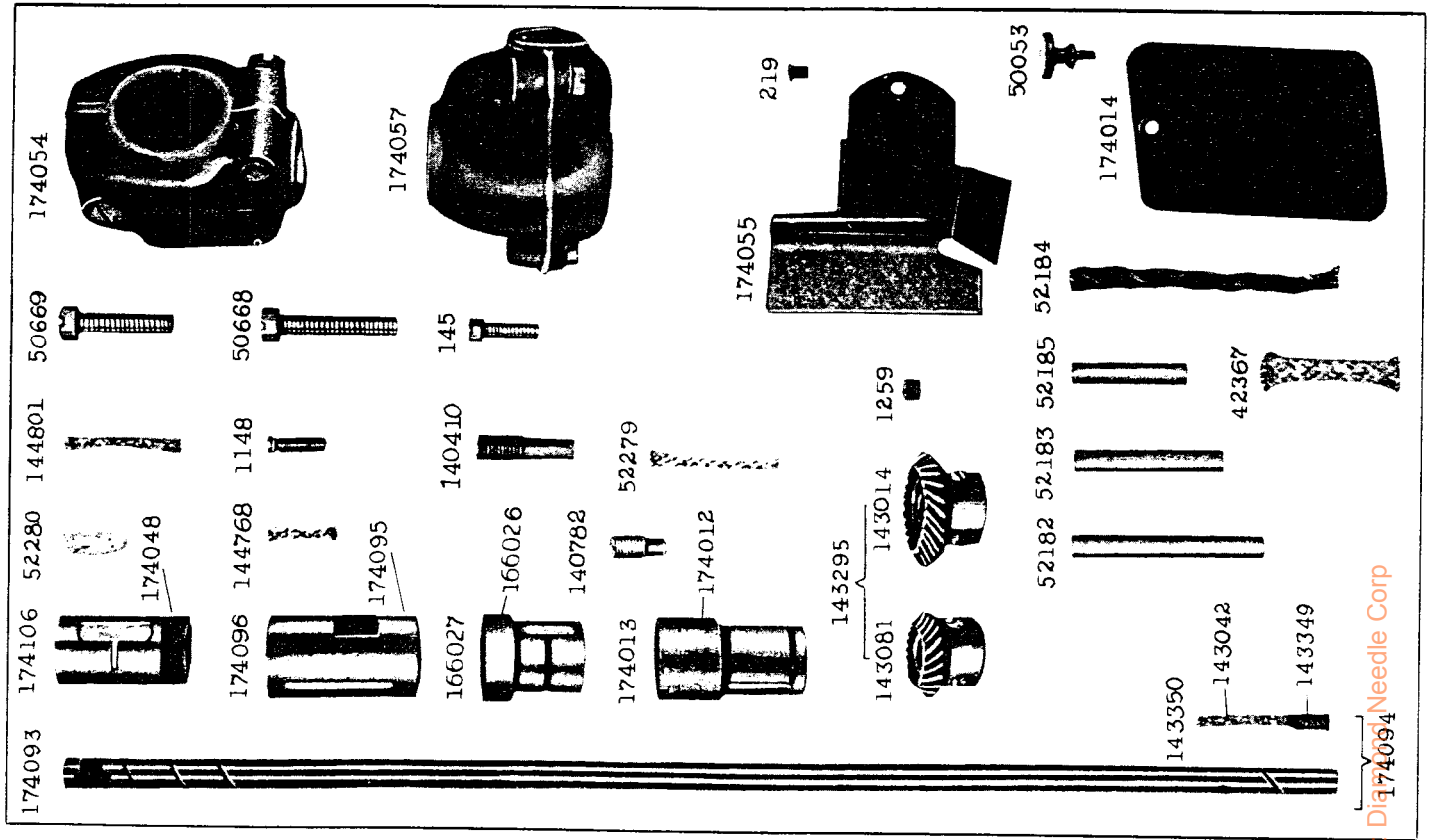


2885 - 1

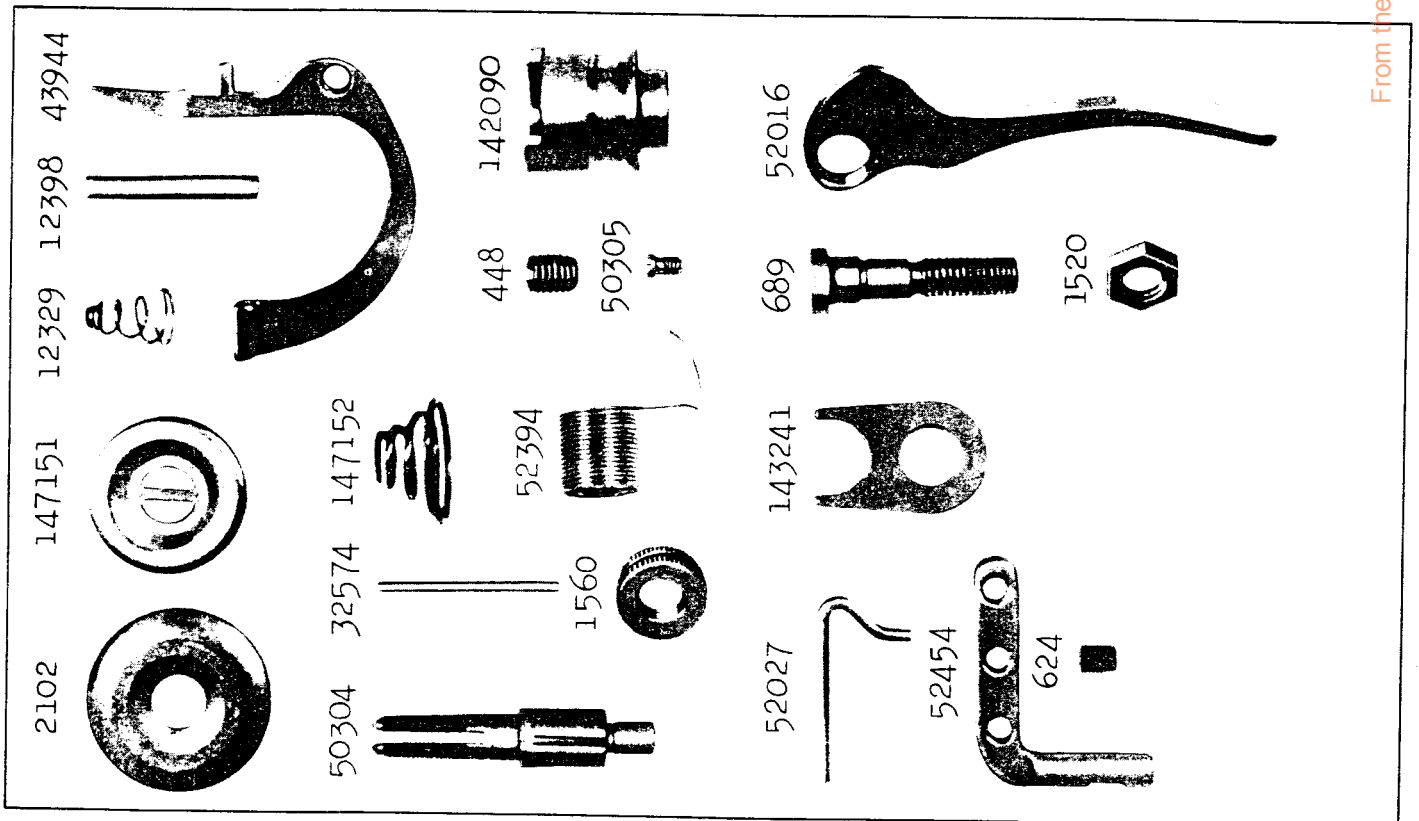


ILLUSTRATIONS

2886 - $\frac{1}{2}$

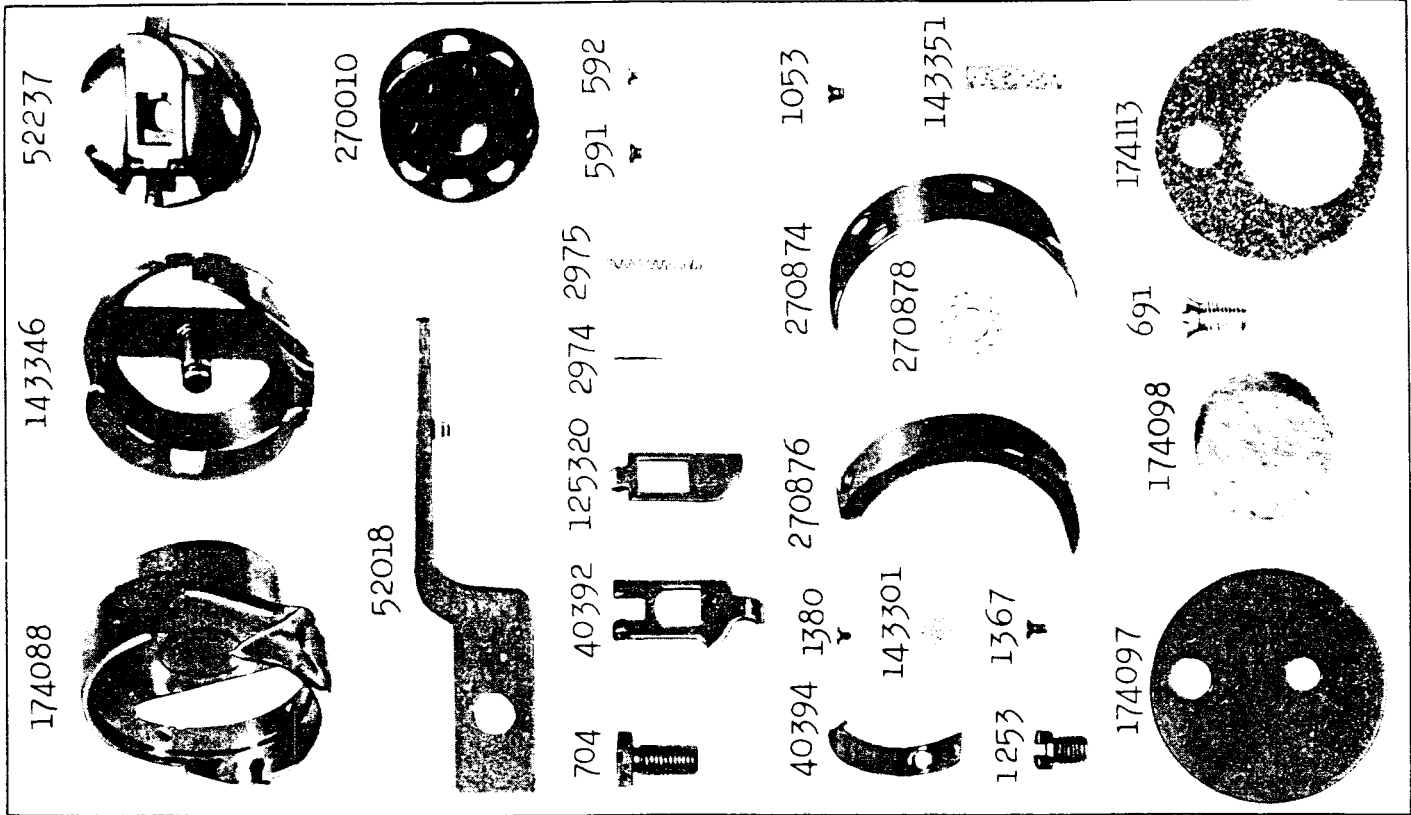


2887 - $\frac{1}{2}$

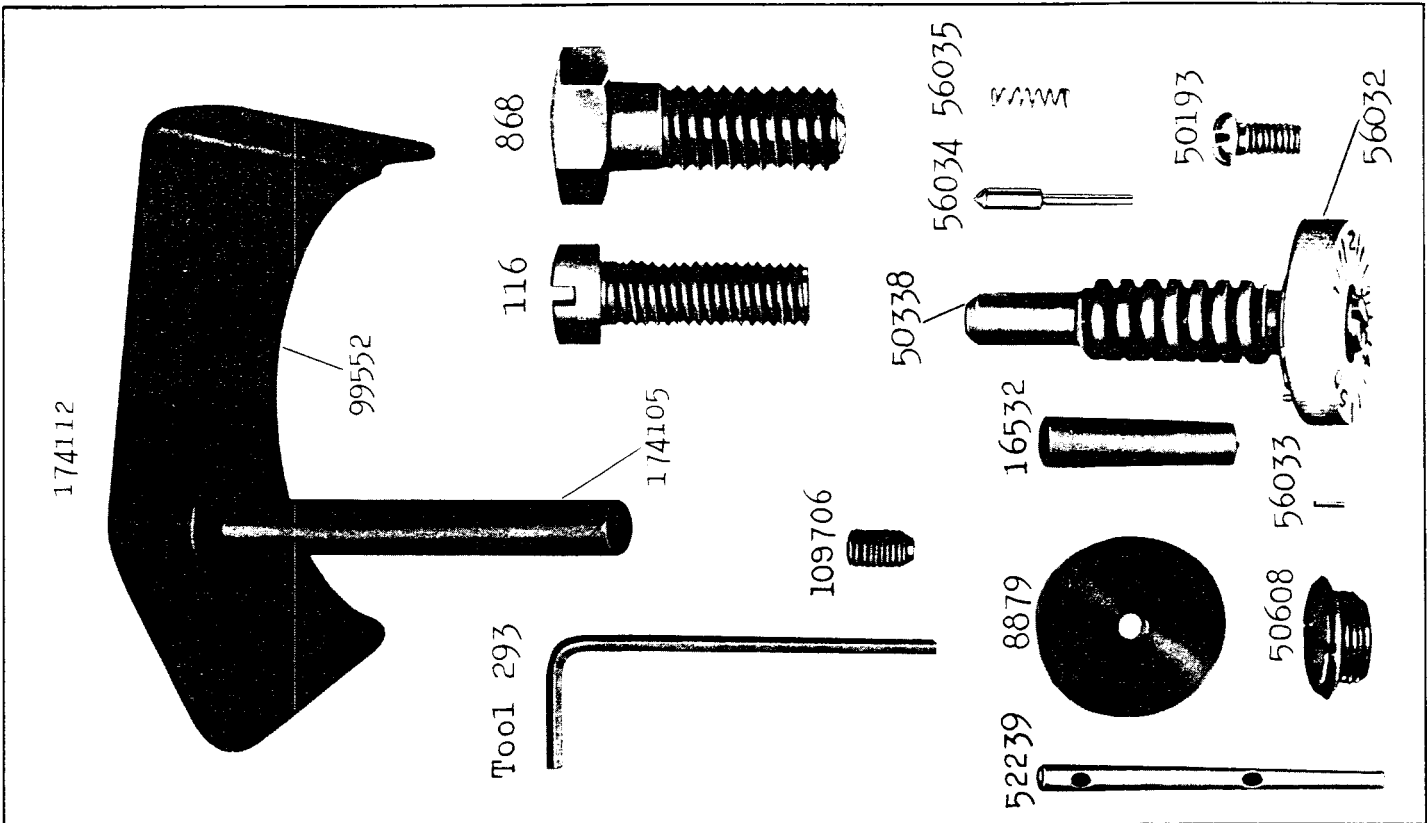


ILLUSTRATIONS

2888 - $\frac{3}{4}$

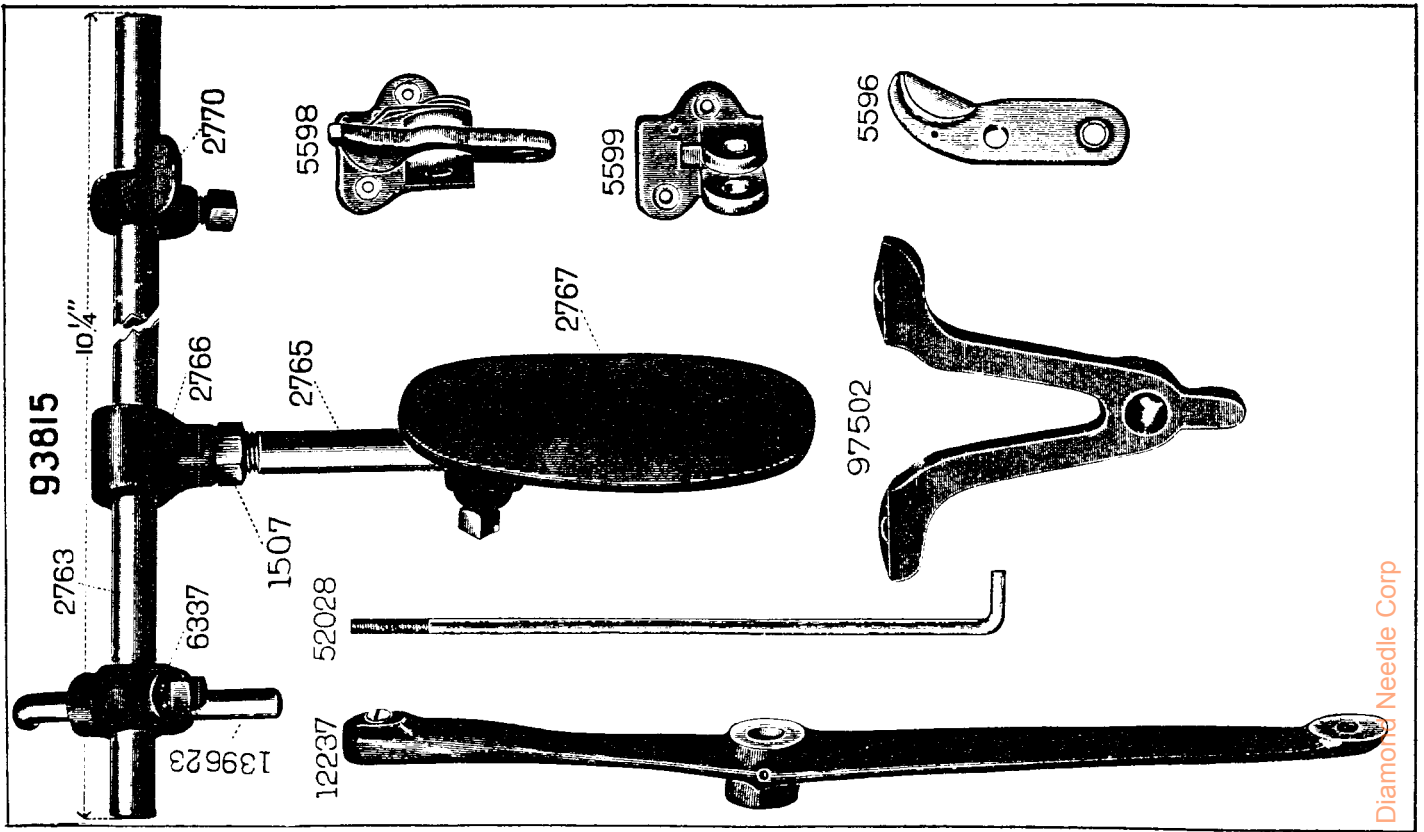


2889

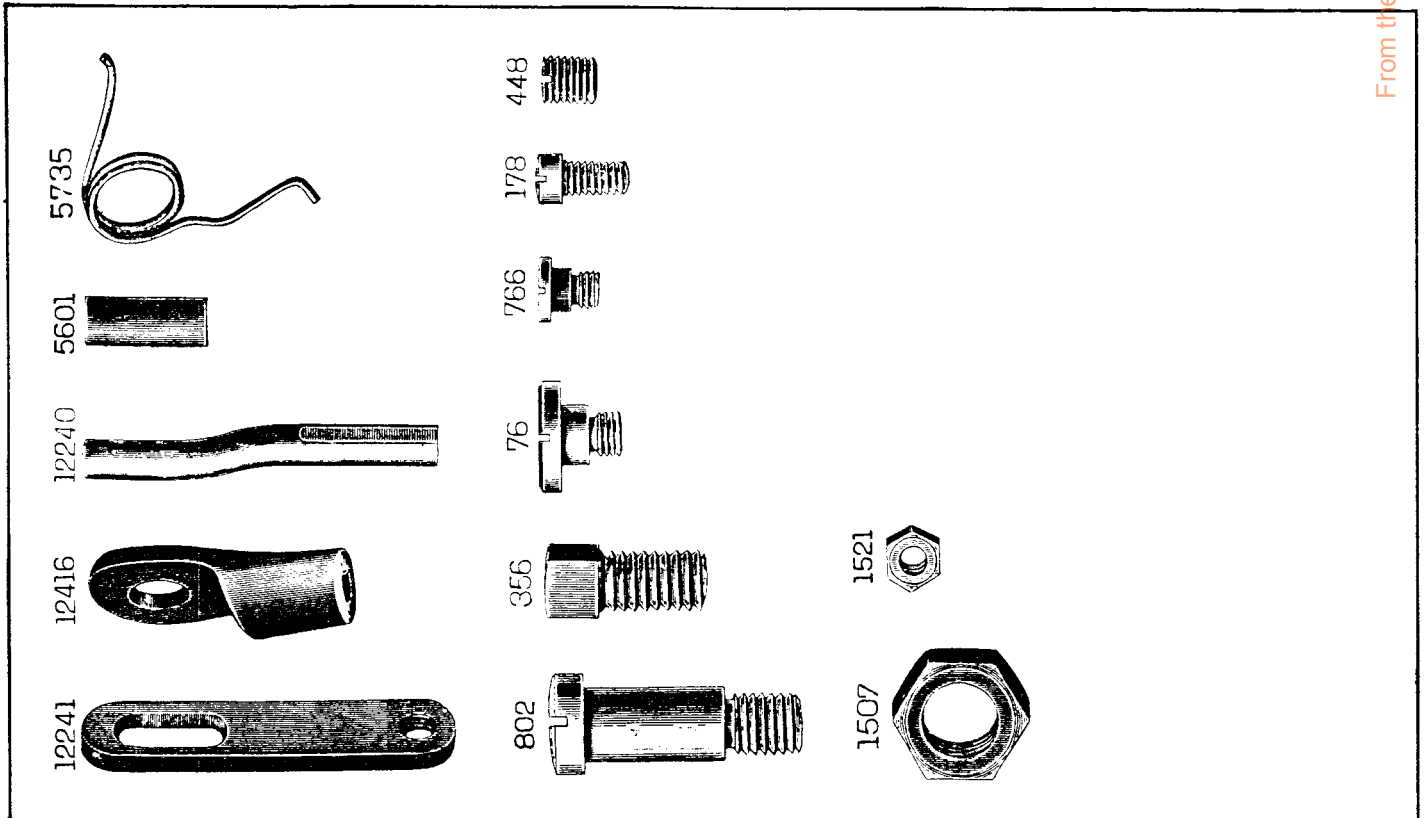


ILLUSTRATIONS

2890 - 1/2

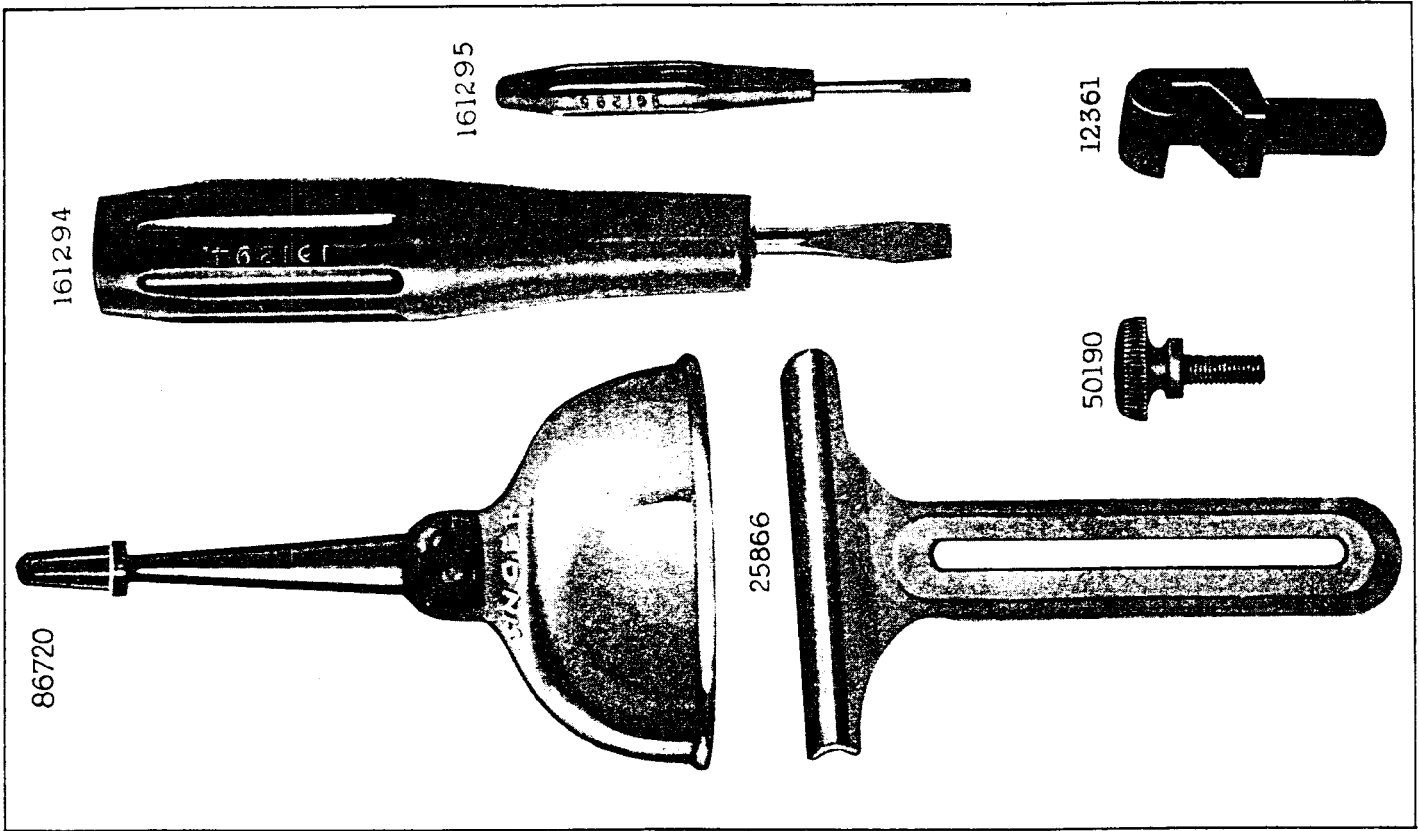


2891

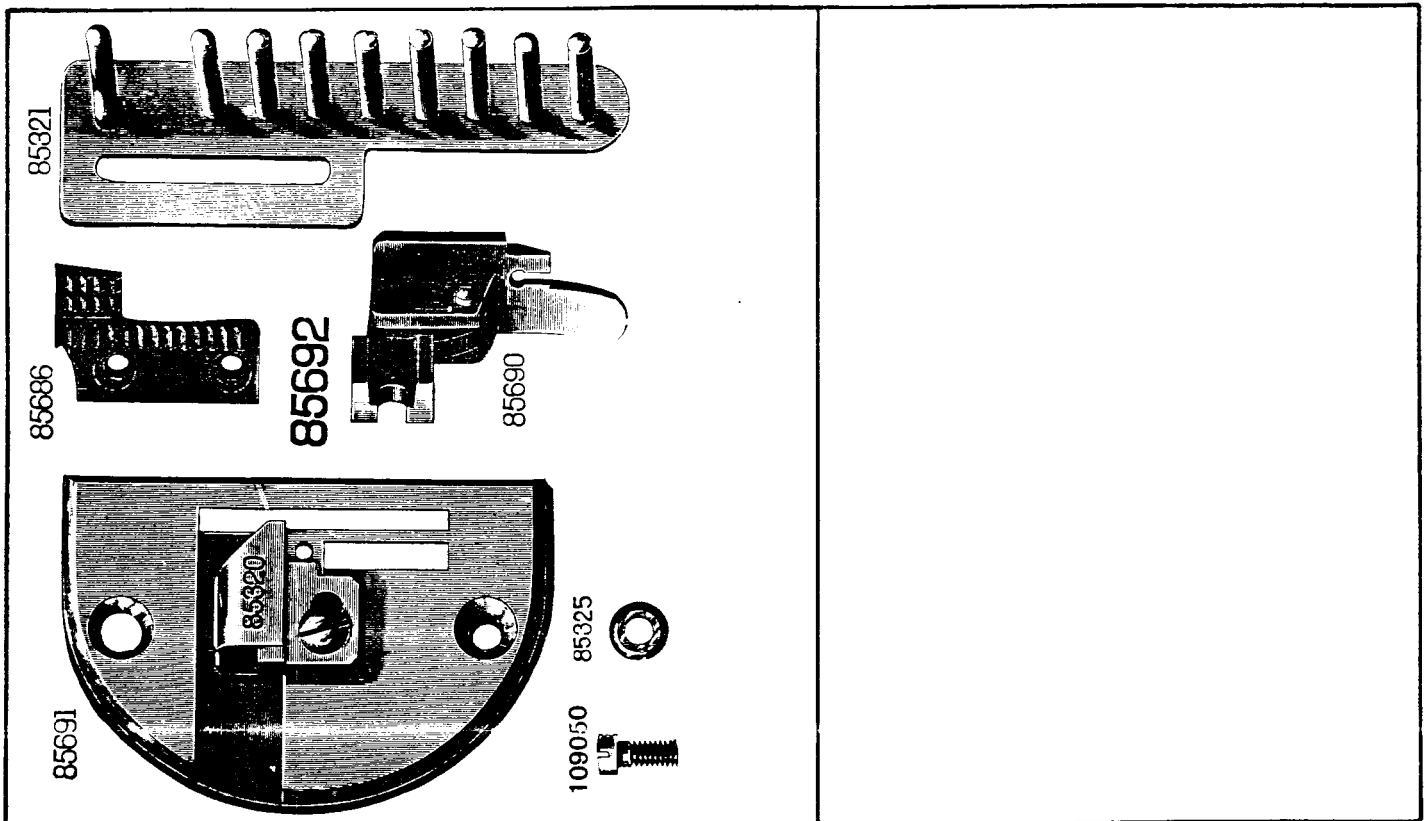


ILLUSTRATIONS

2892

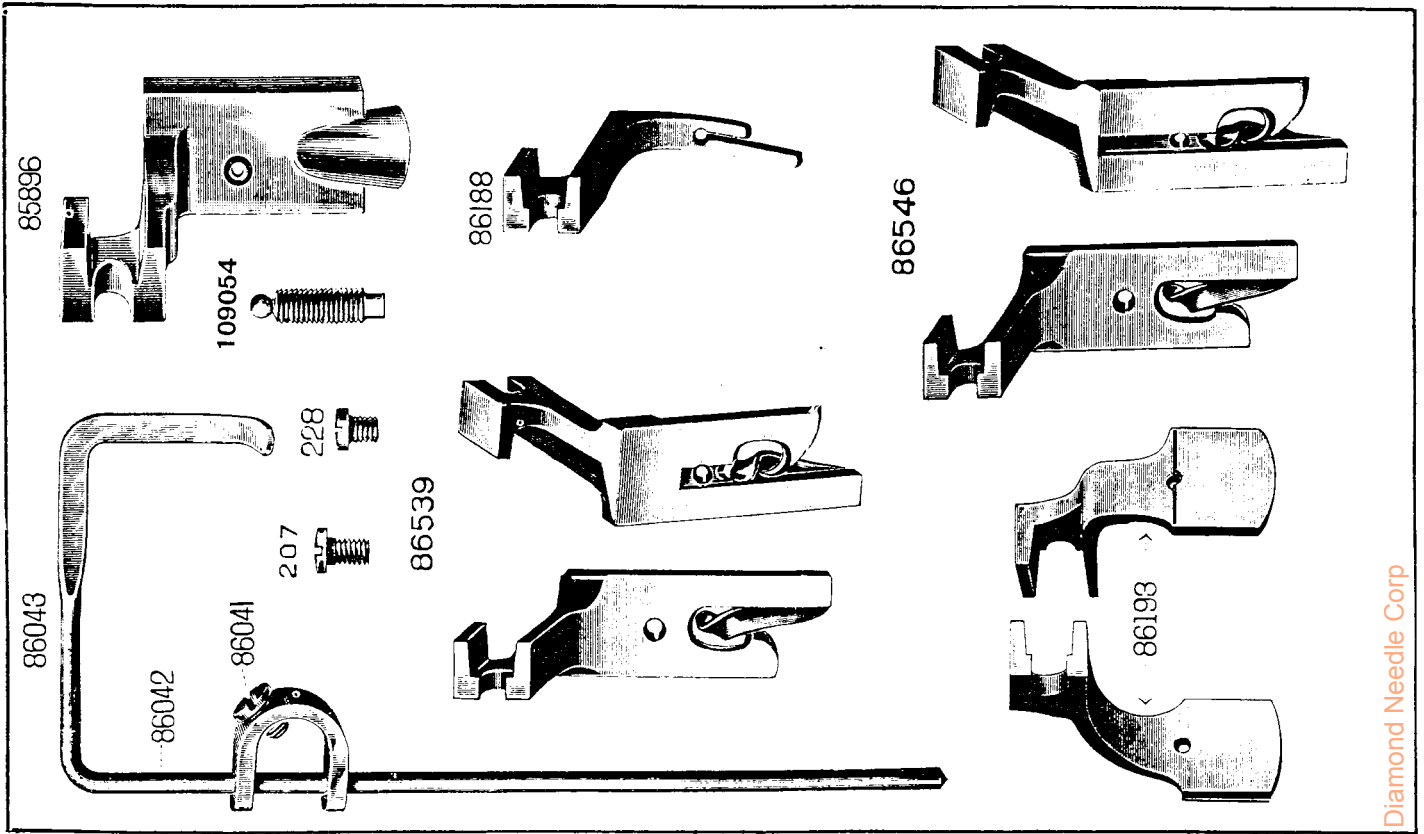


2893

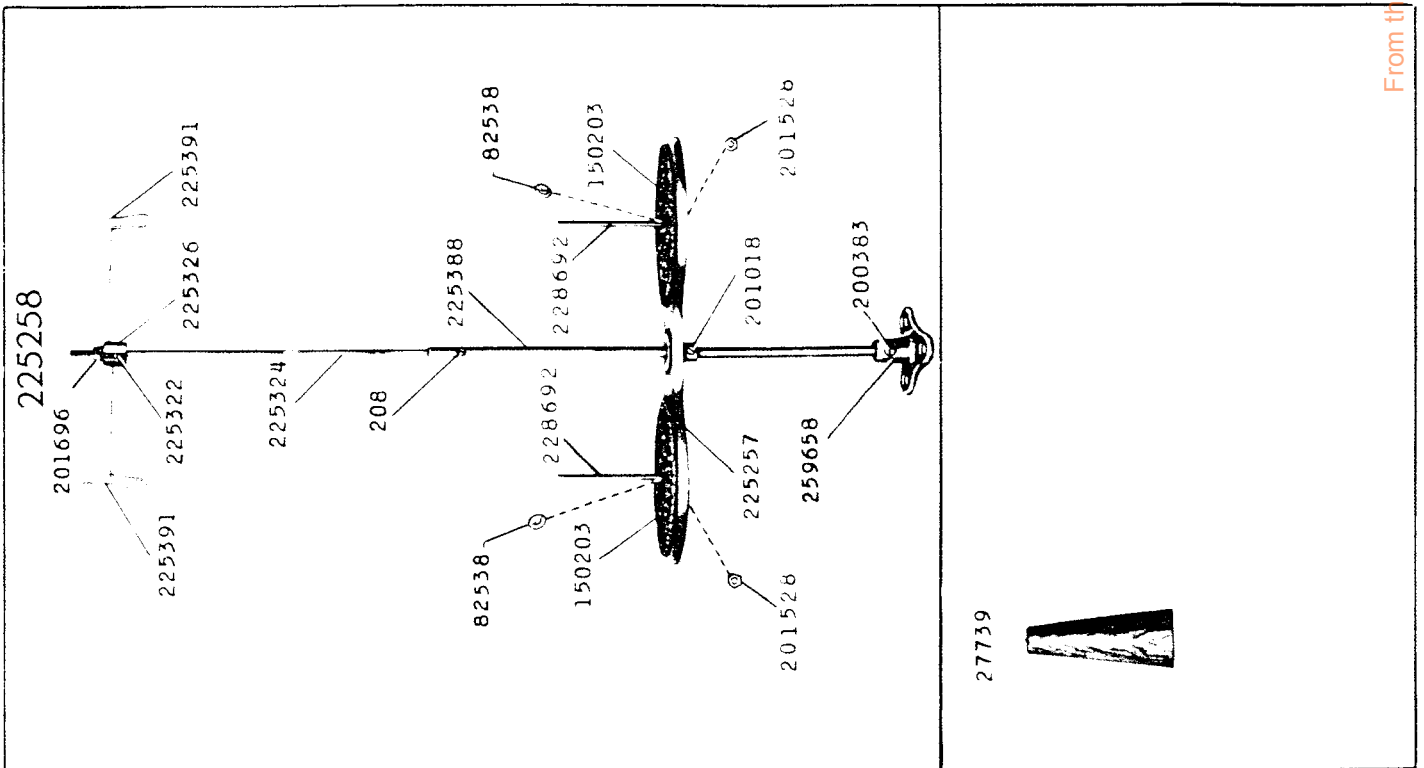


ILLUSTRATIONS

2894



2895 - 1/6



CONTENTS

	Page		Page
FOREWORD	2	INFORMATION FOR OPERATOR	7-17
DESCRIPTION	3	ADJUSTMENTS	18-25
SETTING UP	3	REMOVAL AND REPLACEMENT OF PRINCIPAL ASSEMBLIES	27-42
LUBRICATION	4-7	PARTS LIST	43

INDEX

	Page		Page
Adjustments for Mechanics	18-25	Feed Regulator	
Arm Shaft (Horizontal)		Removal and Replacement	42
Removal	37, 38	Feed Reversing Lever	
Replacement	39	Removal	40, 41
Arm Shaft (Upright)		Replacement	41
Removal	30	Feed Rock Shaft	
Replacement	31	Removal and Replacement	36
Bobbin		Foreword	2
Removal	11	Gear Lubrication	6
Replacement	13	Height Adjustments	
Winding	12	Feed Dog	24
Bobbin Case		Needle Bar	18
Removal	11	Presser Bar	20
Replacement	14	Hints for Perfect Operation	17
Threading	13	Information for Operator	7-17
Bobbin Thread Tension	15	Length of Stitch	3, 16
Bobbin Thread Twist	9	Lubrication	4-7
Bobbin Winder		Needle Bar	
Lubrication	7	Removal	32
Operation	12	Replacement	32
Check Spring (Needle Thread Take-up Spring)		Needle Bar Height, Setting	17
Setting	19	Needle Bar Stroke	3
Description of Machines	3	Needle Thread Take-up	
Description of Oils	Inside Front Cover	Removal (Machine 196K5)	33
Feed, Timing	24	Removal (Machine 196K205)	34
Feed Dog Height, Setting	24	Replacement (Machine 196K5)	33
Feed Dog Setting in Relation to Throat Plate	25	Replacement (Machine 196K205)	35

INDEX (continued)

	Page		Page
Needle Thread Tension	15	Sewing Hook	
Needle Thread Twist	9	Clearance	22
Needles		Lubrication	7
Class and Variety	8	Removal	28
Defects	8	Replacement	28
Ordering	8	Setting Sidewise Position	22, 23
Setting	8	Timing	21
Sizes Recommended	8, 9	Sewing Hook Shaft	
Needles and Thread, Relationship	9	Removal	29
Oil (see Lubrication)	4-7	Replacement	29
Operator, Information for	7-17	Special Characteristics	3
Parts List	43	Speed	3
Perfect Stitch	15	Start Sewing	14
Position Finger (Thread Clearance)	25	Stitch Length	
Preparation for Sewing	14	Maximum	5
Presser Bar		Regulation	16
Removal	32	Take-up Spring (Check Spring)	
Replacement	33	Setting	19
Height, Setting	20	Tensions	
Lift	3	Explanation	15
Pressure on Material	17	Regulation, Bobbin Thread	15
Relationship of Needles and Thread	9	Regulation, Needle Thread	15
Removal and Replacement of		Thread Clearance	25
Principal Assemblies	27-42	Thread Twist	9
Removing the Work	14	Threading, Lower (Bobbin)	13
Reverse Direction of Feed	16	Threading, Upper (Needle)	10
Setting Up	4	Throat Plate in Relation to Feed Dog	25
		Upright Arm Shaft	
		Removal	30
		Replacement	31
		Winding the Bobbin	12